

## 7 Series Forklifts

**Pneumatic Diesel 8,000lb to 12,000 lb Series**  
Tier-4Final

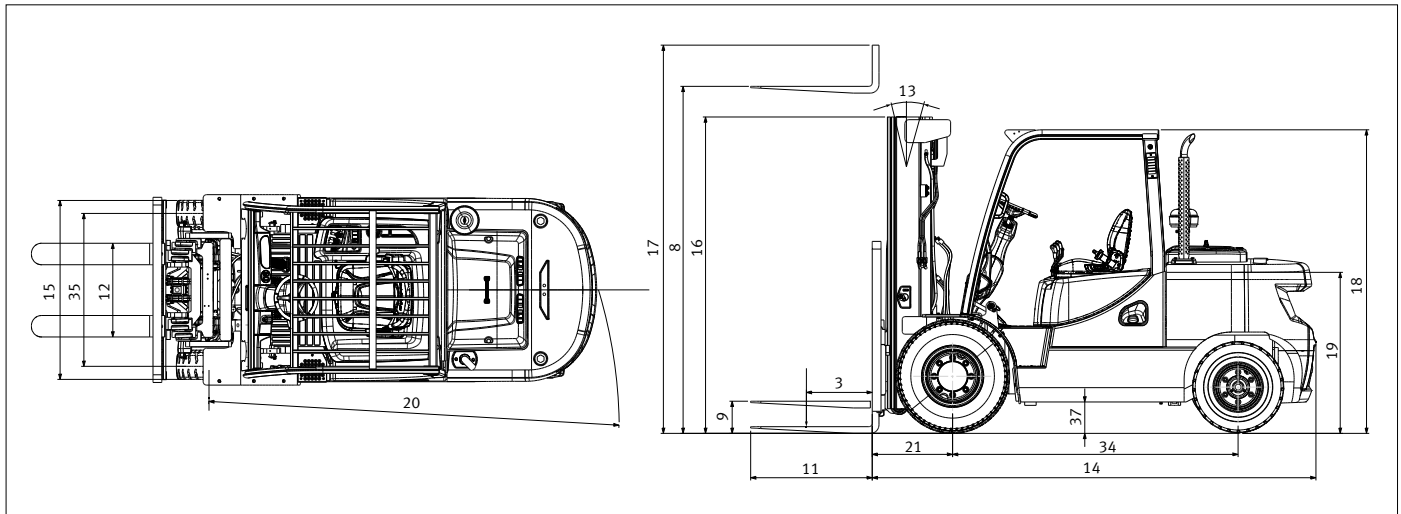


*Lifting Your Dreams*

# MAIN SPECIFICATION (D35/40/45S-7, D50/55C-7)

CHARACTERISTICS								
1	Model			D35S-7	D40S-7	D45S-7	D50C-7	D55C-7
2	Capacity	at rated load center	lb (kg)	8,000 (3,500)	9,000 (4,000)	10,000(4,500)	11,000 (5,000)	12,000 (5,500)
3	Load center	distance	in (mm)	24 (600)	24 (600)	24 (600)	24 (600)	24 (600)
4	Power type	electric,diesel,gasoline,LP-gas		Diesel	Diesel	Diesel	Diesel	Diesel
5	Operator type	Stand-on, Driver-seated		Driver-seated	Driver-seated	Driver-seated	Driver-seated	Driver-seated
6	Tire type	C=cushion, P=pneumatic		P	P	P	P	P
7	Wheels(x=driven)	number, front/rear		x 2/2	x 2/2	x 2/2	x 2/2	x 2/2
DIMENSIONS								
8	Maximum fork height	with STD 2-stage mast	in (mm)	118.1 (3,000)	118.1 (3,000)	118.1 (3,000)	120 (3,050)	120 (3,050)
9	Free lift		in (mm)	6.3 (160)	6.3 (160)	6.3 (160)	6.7 (170)	6.7 (170)
10	Fork carriage	ISO class		III	III	IV	IV	IV
11	Forks	thickness x width x length	in (mm)	2.0x5.9x41.3 (50x150x1,050)	2.0x5.9x41.3 (50x150x1,050)	2.0x5.9x47.2 (50x150x1,200)	2.0x5.9x47.2 (50x150x1,200)	2.0x5.9x47.2 (50x150x1,200)
12		Fork spacing	in (mm)	12.2(310)/46.5(1,182)	12.2(310)/46.5(1,182)	13.4(340)/ 50.8(1,290)	13.4(340)/ 50.8(1,290)	13.4(340)/ 50.8(1,290)
13	Tilt of mast	forward/backward	deg	8/10	8/10	8/10	8/10	8/10
14	Overall dimensions	length without forks	in (mm)	122.0 (3,100)	124.1 (3,151)	128.5 (3,265)	129.9 (3,300)	131.9 (3,350)
15		width	in (mm)	54.0 (1,372)	57.1 (1,451)	57.1 (1,451)	57.1 (1,451)	57.1 (1,451)
16		mast lowered height	in (mm)	87.6 (2,225)	87.8 (2,230)	87.8 (2,230)	87.8 (2,230)	87.8 (2,230)
17		mast extended height	in (mm)	167.9 (4,265)	168.1 (4,270)	174.0 (4,420)	176.0 (4,470)	176.0 (4,470)
18		to top overhead guard	in (mm)	87.6 (2,225)	87.8 (2,230)	87.8 (2,230)	87.8 (2,230)	87.8 (2,230)
19	Seat Height		in (mm)	49.1 (1,248)	49.4 (1,255)	49.4 (1,255)	49.4 (1,255)	49.4 (1,255)
20	Minimum outside turning radius		in (mm)	109.1 (2,770)	111.0 (2,820)	112.8 (2,865)	115.4 (2,930)	117.7 (2,990)
21	Load moment constant		in (mm)	22.1 (561)	22.1 (561)	22.1 (561)	22.1 (561)	22.1 (561)
PERFORMANCE								
22	Speed	travel, loaded/unloaded	mhp(km/h)	15.9/16.2 (24.5/26.2)	15.3/16.4 (24.7/26.4)	15.9/16.2 (24.5/26.2)	15.0/16.4 (24.3/26.4)	15/16.2 (24.2/26.2)
23		lift, loaded/unloaded	fpm(mm/s)	111/119 (570/610)	109/119 (560/610)	107/119 (550/610)	105/119 (540/610)	103/119 (530/610)
24		lowering, loaded/unloaded	fpm(mm/s)	94.5/88.6 (480/450)	94.5/88.6 (480/450)	94.5/88.6 (480/450)	96.5/88.6 (490/450)	96.5/88.6 (490/450)
25	Drawbar pull	at 1.0 mph, loaded	lb (kg)	8,050.5 (3,578)	7,924.5 (3,522)	7,994.8 (3,531)	7,917.8 (3,519)	7,747.8 (3,490)
26	Gradeability	at 1.0 mph, loaded	%	41.5	36.9	34.4	31.5	28.2
WEIGHT								
27	Total weight	unloaded	lb (kg)	13,275 (5,900)	13,928 (6,190)	14,929 (6,635)	16,166 (7,185)	16,943 (7,530)
28	Axle load	with loaded, front/rear	lb (kg)	18,563/2,588 (8,250/1,150)	20,048/2,880 (8,910/1,280)	22,039/3,015 (9,795/1,340)	24,131/3,285 (10,725/1,460)	25,650/3,668 (11,400/1,630)
29		without loaded, front/rear	lb (kg)	5,940/7,335 (2,640/3,260)	6,064/7,864 (2,695/3,495)	6,188/8,741 (2,750/3,885)	6,773/9,394 (3,010/4,175)	7,099/9,844 (3,155/4,375)
CHASSIS								
30	Tires	number of front/rear		2/2	2/2	2/2	2/2	2/2
31		size, front single		8.25x15-14	300x15-18	300x15-18	300x15-18	300x15-18
32		dual(option)		7.50x16-12	7.50x16-12	7.50x16-12	7.50x16-12	7.50x16-12
33		size, rear		7.00x12-12	7.00x12-12	7.00x12-12	7.00x12-14	7.00x12-14
34	Wheel base		in (mm)	78.7 (2,000)	78.7 (2,000)	82.7 (2,100)	82.7 (2,100)	82.7 (2,100)
35	Tread	front/rear	in (mm)	44.8/43.9 (1,138/1,115)	45.4/43.9 (1,153/1,115)	45.4/43.9 (1,153/1,115)	45.4/43.9 (1,153/1,115)	45.4/43.9 (1,153/1,115)
36	Ground clearance	loaded, at the lowest point	in (mm)	6.3 (160)	6.3 (160)	6.3 (160)	6.3 (160)	6.3 (160)
37		loaded, at center of wheelbase	in (mm)	8.1 (205)	8.1 (205)	8.1 (205)	8.1 (205)	8.1 (205)
38	Brake	service		disc	disc	disc	disc	disc
39		parking		Ratchet	Ratchet	Ratchet	Ratchet	Ratchet
DRIVE								
40	Battery	voltage/ampere-hour	V/AH	12/75	12/75	12/75	12/75	12/75
41	Engine	manufacturer/model		DI/D34	DI/D34	DI/D34	DI/D34	DI/D34
42		rated output (at rpm)	hp/rpm	73.8/2450	73.8/2450	73.8/2450	73.8/2450	73.8/2450
43		max. torque	lb_ft/rpm	240/1600	240/1600	240/1600	240/1600	240/1600
44		cycle/cylinders/displacement	cc	4/4/3400	4/4/3400	4/4/3400	4/4/3400	4/4/3400
45	Transmission	type		Powershift	Powershift	Powershift	Powershift	Powershift
46		No. speeds forward/reverse		2/2	2/2	2/2	2/2	2/2
47	Operating pressure	system/attachment	psi (bar)	2,755/2,030 (190/140)	2,755/2,030 (190/140)	2,755/2,030 (210/140)	2,755/2,030 (210/140)	3,335/2,030 (230/140)

# DIMENSIONAL DRAWING



## MAST SPECIFICATIONS and RATED CAPACITIES

### D35S-7

Mast Type	Maximum Fork Height		Maximum Lowered Height		Fully Extended Height		Free Lift		Rated Load Capacities														
									With Load Backrest		With Load Backrest		D35S-7										
													Tilt Angle				Load Capacities						
													Single Pneu.		Double Pneu.		Single Pneu.			Double Pneu.			
													FWD	BWD	FWD	BWD	LC500mm	LC600mm	LC24in	LC500mm	LC600mm	LC24in	
mm	in	mm	in	mm	in	mm	in	deg	deg	deg	deg	kg	kg	lb	kg	kg	lb						
STD	3,000	118	2,225	88	4,265	168	160	6	8	10	8	10	4,000	3,655	8,000	4,000	3,655	8,000					
	3,300	130	2,375	94	4,565	180	160	6	8	10	8	10	4,000	3,655	8,000	4,000	3,655	8,000					
	3,650	144	2,550	100	4,915	194	160	6	8	10	8	10	4,000	3,655	8,000	4,000	3,655	8,000					
	4,000	157	2,875	113	5,265	207	160	6	8	10	8	10	4,000	3,655	8,000	4,000	3,655	8,000					
	4,250	167	3,000	118	5,515	217	160	6	8	10	8	10	4,000	3,655	8,000	4,000	3,655	8,000					
4,850	191	3,450	136	6,115	241	160	6	8	8	8	10	3,850	3,520	7,700	3,875	3,545	7,750						
FF	3,000	118	2,205	87	4,250	167	1,005	40	8	10	8	10	4,000	3,660	8,000	4,000	3,660	8,000					
FFT	4,000	157	2,090	82	5,265	207	890	35	8	8	8	8	3,975	3,645	7,950	4,000	3,670	8,000					
	4,250	167	2,175	86	5,530	218	975	38	8	8	8	8	3,900	3,575	7,800	3,950	3,625	7,900					
	4,700	185	2,325	92	5,980	235	1,125	44	8	8	8	8	3,775	3,465	7,550	3,800	3,485	7,600					
	5,150	203	2,475	97	6,430	253	1,275	50	8	5	8	8	3,650	3,350	7,300	3,675	3,370	7,350					
	5,600	220	2,625	103	6,880	271	1,425	56	8	3	8	8	3,525	3,235	7,050	3,550	3,255	7,100					
6,050	238	2,775	109	7,330	289	1,575	62	8	3	8	5	3,075	2,820	6,150	3,450	3,165	6,900						

### D40S-7

Mast Type	Maximum Fork Height		Maximum Lowered Height		Fully Extended Height		Free Lift		Rated Load Capacities														
									With Load Backrest		With Load Backrest		D40S-7										
													Tilt Angle				Load Capacities						
													Single Pneu.		Double Pneu.		Single Pneu.			Double Pneu.			
													FWD	BWD	FWD	BWD	LC500mm	LC600mm	LC24in	LC500mm	LC600mm	LC24in	
mm	in	mm	in	mm	in	mm	in	deg	deg	deg	deg	kg	kg	lb	kg	kg	lb						
STD	3,000	118	2,230	88	4,270	168	160	6	8	10	8	10	4,500	4,115	9,000	4,500	4,115	9,000					
	3,300	130	2,380	94	4,570	180	160	6	8	10	8	10	4,500	4,115	9,000	4,500	4,115	9,000					
	3,650	144	2,555	101	4,920	194	160	6	8	10	8	10	4,500	4,115	9,000	4,500	4,115	9,000					
	4,000	157	2,880	113	5,270	207	160	6	8	10	8	10	4,500	4,115	9,000	4,500	4,115	9,000					
	4,250	167	3,005	118	5,520	217	160	6	8	10	8	10	4,500	4,115	9,000	4,500	4,115	9,000					
4,850	191	3,455	136	6,120	241	160	6	8	8	8	10	4,400	4,025	8,800	4,425	4,045	8,850						
FF	3,000	118	2,210	87	4,255	168	1,005	40	8	10	8	10	4,500	4,115	9,000	4,500	4,115	9,000					
FFT	4,000	157	2,090	82	5,270	207	890	35	8	8	8	8	4,500	4,125	9,000	4,500	4,125	9,000					
	4,250	167	2,180	86	5,535	218	980	39	8	8	8	8	4,475	4,105	8,950	4,500	4,125	9,000					
	4,700	185	2,330	92	5,985	236	1,130	44	8	8	8	8	2,325	3,965	8,650	4,350	3,990	8,700					
	5,150	203	2,480	97	6,435	253	1,280	50	8	5	8	5	4,175	3,830	8,350	4,225	3,875	8,450					
	5,600	220	2,630	104	6,885	271	1,430	56	8	3	8	3	4,050	3,715	8,100	4,075	3,740	8,150					
6,050	238	2,780	109	7,335	289	1,580	62	8	3	8	3	3,800	3,485	7,600	3,750	3,440	7,150						

# MAST SPECIFICATION and RATED CAPACITIES

## D45S-7

Mast Type	Maximum Fork Height		Maximum Lowered Height		Fully Extended Height		Free Lift		Rated Load Capacities									
									D45S-7									
									Tilt Angle				Load Capacities					
									Single Pneu.		Double Pneu.		Single Pneu.			Double Pneu.		
								FWD	BWD	FWD	BWD	LC500mm	LC600mm	LC24in	LC500mm	LC600mm	LC24in	
								deg	deg	deg	deg	kg	kg	lb	kg	kg	lb	
STD	3,000	118	2,230	88	4,420	174	160	6	8	10	8	10	5,000	4,570	10,000	5,000	4,570	10,000
	3,300	130	2,380	94	4,720	186	160	6	8	10	8	10	5,000	4,570	10,000	5,000	4,570	10,000
	3,650	144	2,555	101	5,070	200	160	6	8	10	8	10	5,000	4,570	10,000	5,000	4,570	10,000
	4,000	157	2,880	113	5,420	213	160	6	8	10	8	10	5,000	4,570	10,000	5,000	4,570	10,000
	4,250	167	3,005	118	5,670	223	160	6	8	10	8	10	5,000	4,570	10,000	5,000	4,570	10,000
	4,850	191	3,455	136	6,270	247	160	6	8	5	8	10	4,900	4,480	9,800	4,700	4,295	9,400
FF	3,000	118	2,210	87	4,400	173	860	34	8	10	8	10	5,000	4,575	10,000	5,000	4,575	10,000
FFT	4,000	157	2,090	82	5,415	213	740	29	8	8	8	8	5,000	4,585	10,000	5,000	4,585	10,000
	4,250	167	2,180	86	5,680	224	830	33	8	8	8	8	4,975	4,565	9,950	5,000	4,585	10,000
	4,700	185	2,330	92	6,130	241	980	39	8	8	8	8	4,800	4,400	9,600	4,850	4,450	9,700
	5,150	203	2,480	97	6,580	259	1,130	44	8	3	8	8	4,650	4,265	9,300	4,525	4,150	9,050
	5,600	220	2,630	104	7,030	277	1,280	50	8	3	8	5	4,500	4,125	9,000	4,125	3,785	8,250
	6,050	238	2,780	109	7,480	294	1,430	56	8	3	8	3	3,575	3,280	7,150	3,575	3,280	7,150

## D50C-7

Mast Type	Maximum Fork Height		Maximum Lowered Height		Fully Extended Height		Free Lift		Rated Load Capacities									
									D50C-7									
									Tilt Angle				Load Capacities					
									Single Pneu.		Double Pneu.		Single Pneu.			Double Pneu.		
								FWD	BWD	FWD	BWD	LC500mm	LC600mm	LC24in	LC500mm	LC600mm	LC24in	
								deg	deg	deg	deg	kg	kg	lb	kg	kg	lb	
STD	2,750	108	2,230	88	4,170	164	170	7	8	10	8	10	5,500	5,030	11,000	5,500	5,030	11,000
	3,050	120	2,380	94	4,470	176	170	7	8	10	8	10	5,500	5,030	11,000	5,500	5,030	11,000
	3,400	134	2,555	101	4,820	190	170	7	8	10	8	10	5,500	5,030	11,000	5,500	5,030	11,000
	3,750	148	2,880	113	5,170	204	170	7	8	10	8	10	5,500	5,030	11,000	5,500	5,030	11,000
	4,000	157	3,005	118	5,420	213	170	7	8	10	8	10	5,500	5,030	11,000	5,500	5,030	11,000
	4,600	181	3,455	136	6,020	237	170	7	8	8	8	10	5,500	5,030	11,000	5,125	4,690	10,300
FF	2,875	113	2,210	87	4,275	168	870	34	8	10	8	10	5,500	5,035	11,000	5,500	5,035	11,000
FFT	3,875	153	2,090	82	5,290	208	750	30	8	8	8	8	5,500	5,050	11,000	5,500	5,050	11,000
	4,125	162	2,180	86	5,555	219	840	33	8	8	8	8	5,500	5,050	11,000	5,500	5,050	11,000
	4,575	180	2,330	92	6,005	236	990	39	8	8	8	8	5,375	4,935	10,850	5,425	4,980	10,950
	5,025	198	2,480	98	6,455	254	1,140	45	8	5	8	8	5,200	4,775	10,500	4,600	4,220	9,300
	5,475	216	2,630	104	6,905	272	1,290	51	8	3	8	5	4,650	4,270	9,400	4,200	3,855	8,500
	5,925	233	2,780	109	7,355	290	1,440	57	8	3	8	5	3,625	3,330	7,300	3,275	3,005	6,600

## D55C-7

Mast Type	Maximum Fork Height		Maximum Lowered Height		Fully Extended Height		Free Lift		Rated Load Capacities									
									D55C-7									
									Tilt Angle				Load Capacities					
									Single Pneu.		Double Pneu.		Single Pneu.			Double Pneu.		
								FWD	BWD	FWD	BWD	LC500mm	LC24in	LC500mm	LC24in			
								deg	deg	deg	deg	kg	lb	kg	lb			
STD	2,750	108	2,230	88	4,170	164	170	7	8	10	8	10	5,500	12,100	5,500	12,100		
	3,050	120	2,380	94	4,470	176	170	7	8	10	8	10	5,500	12,100	5,500	12,100		
	3,400	134	2,555	101	4,820	190	170	7	8	10	8	10	5,500	12,100	5,500	12,100		
	3,750	148	2,880	113	5,170	204	170	7	8	10	8	10	5,500	12,100	5,500	12,100		
	4,000	157	3,005	118	5,420	213	170	7	8	10	8	10	5,500	12,100	5,500	12,100		
	4,600	181	3,455	136	6,020	237	170	7	8	8	8	10	5,400	11,850	4,900	10,750		
FF	2,875	113	2,210	87	4,275	168	870	34	8	10	8	10	5,500	12,100	5,500	12,100		
FFT	3,875	153	2,090	82	5,290	208	750	30	8	8	8	8	5,500	12,100	5,500	12,100		
	4,125	162	2,180	86	5,555	219	840	33	8	8	8	8	5,500	12,100	5,500	12,100		
	4,575	180	2,330	92	6,005	236	990	39	8	8	8	8	5,500	12,100	5,500	12,100		
	5,025	198	2,480	98	6,455	254	1,140	45	8	5	8	8	5,150	11,350	4,425	9,750		
	5,475	216	2,630	104	6,905	272	1,290	51	8	3	8	5	4,500	9,900	4,050	8,900		
	5,925	233	2,780	109	7,355	290	1,440	57	8	3	8	5	3,500	7,700	3,125	6,850		