

# MANISCOPIC

# MLT 523 T

- Maximum lifting height : 4.92 m
- Capacity : 2300 kg
- Maximum forward reach : 2.83 m
- Hydrostatic transmission



MLT 523 T with a CBA 1500



**MLT 523 T**



**Lifting capacity** .....2300 kg  
 at 500 mm from forks heels.  
 Tipping load  
 at maximum reach : .....1450 kg  
 Tear out force with bucket  
 to ISO 8313 .....4780 daN



**Lifting height** : .....4.92 m  
**Times** : unladen / loaded (in s)  
 Lifting .....6.00/6.75  
 Lowering .....4.00/4.00  
 Boom extension .....4.50/4.60  
 Boom retraction .....3/2.40  
 Time unladen (in s)  
 Crowd .....2.70  
 Dump .....2.30



**Tyres**  
 12.5 - 80 - 18 SGI  
 Option : 10.5 - 18 TG 42 10 PR



**Forks (mm)**  
 Length .....1200  
 Width .....125



**Oil bath multidisc brakes on front axle**



**Perkins engine**  
 Type .....903.27 Turbo 3/2700 cm<sup>3</sup>  
 Power (ISO/TR 14396) .....64 HP/48 kw  
 Maximum torque .....242,5 Nm at 1400 tr/mn  
 Direct injection  
 Water cooling



**Transmission** .....hydrostatic  
 Electro - hydraulic reversing shift  
 One speed forward and reverse



**Hydraulics**  
 Lifting/tilting pump :  
 gear type .....90 l./mn - 260 bars  
 Flow divider with priority to steering



**Capacities**  
 Cooling system .....14.5 l.  
 Transmission oil .....102.5 l.  
 Engine oil .....6.2 l.  
 Fuel tank .....104 l.



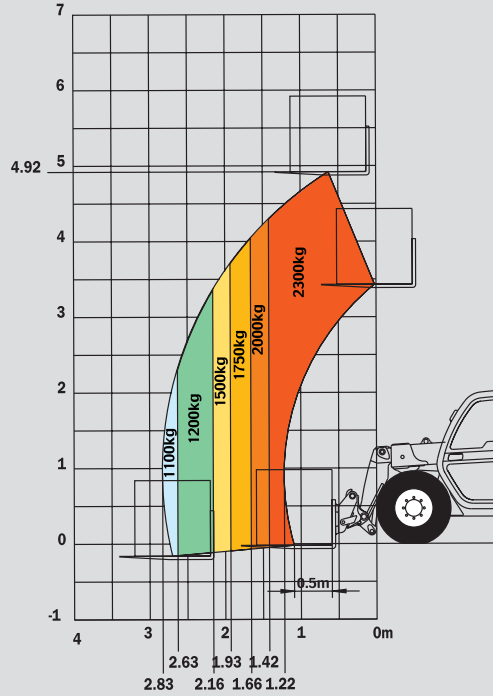
**Weight unladen (with forks)** .....5090 kg  
**Overall width** .....1.80 m  
**Overall height** .....1.98\* or 2.01 m  
**Turning radius (outside wheels)** .....3.10 m  
**Overall length** .....4.20 m  
**Ground clearance** .....0.30 m  
**Drawbar pull** .....3100 daN

\* Tyres : 10.5 - 18

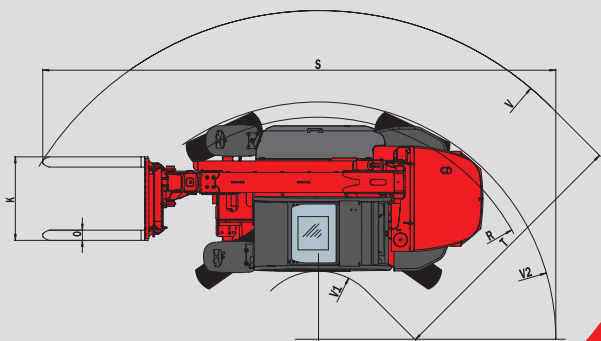
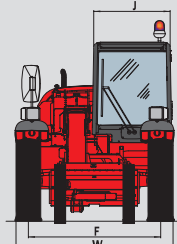
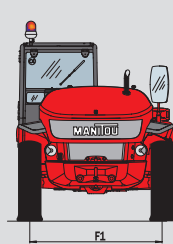
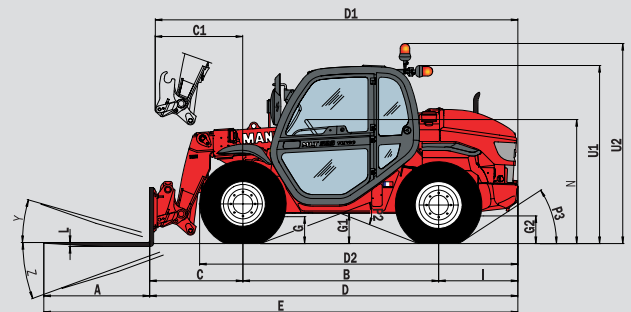
MLT 523 Turbo	
A	1200
B	2220
C	1080
C1	1016
D	4205
D1	4141
D2	3590
E	5405
F	1500
F1	1500
G	305
G1	355
G2	325
I	905
J	865
K	1020
L	45
N	1410
O	125
P2	39°
P3	31°
R	2945
S	6490
T	3000
U1	2010
U2	2300
V	4100
V1	1100
V2	3100
W	1810
Y	11.8°
Z	120.4°

(mm)

**Reach at maximum height : 0,64 m**



Under EN 1459 annexe B



This publication in no way constitutes an offer and the company reserves the right to alter specification without prior notice. Model illustrated may have optional equipment which is available at additional cost.



**MANITOU B.F. S.A.**  
 B.P249 - 44158 ANCENIS CEDEX - FRANCE  
 TEL : 33 2 40 09 10 11  
 EXPORT DEPARTMENT FAX : 33 2 40 09 10 97  
 www.manitou.com