

# CORE ELECTRIC



3000 - 6500 LBS.

SPECIFICATIONS



8FBC15-18U | 8FBCU20-32 | 8FBCU20-25-COMP | 8FBCHU25

CLASS  
**1**

ELECTRIC MOTOR RIDERS

[ToyotaForklift.com](http://ToyotaForklift.com)



TOYOTA

TOYOTA

SAS  
SAFETY

**CAPACITY**  
**3000 - 6500 LBS.**

**MAXIMUM FORK HEIGHT**  
**278 IN.**

**LOAD CENTER**  
**24 IN.**

**INDUSTRIES**



Beverage



Factory



Food Processing



Food Storage



General Manufacturing



General Warehousing



Retail

**STANDARD FEATURES**

**SUPPORT**

- System of Active Stability(SAS®)
  - Active control rear stabilizer
  - Active Mast Control
- Operator Presence Sensing System (OPSS)
- Key lowering interlock
- Asbestos-free brakes
- Turn speed control<sup>1</sup>
- Foot-activated parking brake
- Electric horn
- Manual return to neutral

**PERFORMANCE**

- AC drive system
- AC hydraulic lift system
- UL-approved model type “E”
- Three forms of energy regeneration
  - Coast control
  - Plug braking
  - Foot braking
- Digital (LCD) multifunction display
- Time & date
- Speedometer
- Multifunction hour meter
- Battery capacity indicator
- Overdischarge warning (lift interrupt)
- Parking brake indicator
- Low-speed-setting switch
- Direction indicator
- Mast tilt indicator
- Maximum speed limiter
- Built-in analyzer
- Self-diagnostics
- Power select functions (S.P.H.)
- 3-way hydraulic control valve
- Auto shut-off (programmable after 15 minutes)
- Travel power control (acceleration)

**BODY/EXTERIOR DESIGN**

- Wide-view 2-stage mast (V)
- Punched plate entry/exit step
- 48" load backrest extension
  - With angled tie bar
- Tapered forks
- Smooth or treaded cushion tires
- Wide-view carriage bars
- Drawbar pin
- Tie-down hooks
- Adjustable front headlights
- LED front Headlights<sup>1</sup>
- ORS 4-way adjustable full-suspension seat
- Retractable seatbelt
- 85° wide-opening battery hood
- Overhead guard
- SB 350 battery connector (gray)
- 26.8" battery compartment (3000 - 3500 lbs.)
- 27.4" battery compartment (4000 - 5000 lbs.)
- 30.5" battery compartment (4000 - 5500 lbs.)
- 34.3" battery compartment (6000 - 6500 lbs.)

**OPERABILITY & ERGONOMICS**

- Strategically configured instrument display
- Hydrostatic (on demand) power steering
- Dual operator assist grips
- One-way automatic fork leveling
- Electric directional shift control
- Memory-tilt steering column
- 11.8"-dia. two-spoke steering wheel
- Cowl-mounted hydraulic controls
- Heavy-duty non-slip floor mat
- Dash-integrated pen/pencil holder
- Hood-integrated clipboard
- Dash-mounted cup holder

**SERVICEABILITY**

- Maintenance-free AC motors
- Easy-access hydraulic motor
- Bolt-on overhead guard
- Easy-access, no-tools-required floorboard
- Battery compartment hood assist dampers
- Planned maintenance indicator
- Easy-access controller
- CAN-bus controller wiring

<sup>1</sup> 8FBC15U and 8FBC18U models only

## OPTIONAL EQUIPMENT

### LOAD HANDLING

- Wide visible mast (V)
- Full free-lift 2-stage mast (FV)
- Full free-lift 3-stage mast (FSV)
- Full free-lift 4-stage mast (QFV)<sup>1</sup>
- Turret attachment (mast and carriage)
- Tilt cylinder boots
- Mast tilt (Bottler's tilt forward)
- Tapered forks
- Fully tapered & polished forks
- Fork bar (wide carriage)
- High load backrest
- Side hosing termination
- Less mast & forks
- Less forks
- Less backrest
- 36" black forks<sup>1</sup>

### LOAD HANDLING (HOSE & VALVE ASSEMBLY)

- 3-way valve (multiple options available)
- Hang-on sideshifter
- 4-way valve (multiple options available)
- Integral sideshifter
- Hydraulic quick disconnects (single & dual)
- Clamp release interlock

### LIGHTS & INDICATORS

- Front combination lights
- LED front combination headlights
- Rear combination lights
- LED rear combination lights
- Rear working light
- LED work light
- Low-profile mast-mounted LED headlights
- Low-profile mast-mounted LED rear work light<sup>1</sup>
- Operator compartment light
- Strobe light (multiple options available)
- LED strobe light (multiple options available)
- Key off/headlights off system
- Adjustable volume back up alarm (smart alarm)
- Back up alarm
- Back up buzzer
- Armrest horn
- Transistorized horn
- Fire extinguisher 2.5 lb. upgrade (including bracket)
- Fire extinguisher 5 lb. upgrade (including bracket)
- Reverse activated work light

### TELEMATICS

- T-Matics mobile
  - CDMA network (U.S. only)
  - GSM network (Canada/U.S.)

### BODY

- Left-hand shift lever
- Pre-delivery inspection
- Mini-levers with ErgoShift
- EZ Control Joystick
- Joystick levers
- Synchronized steering<sup>2</sup>
- Rearview mirrors (left & right sides)
- Plastic mirrors
- Skid plate
- Travel speed/acceleration control system
- Power shut-down button<sup>1</sup>
- Battery slide-out
- Battery roll-out
- Euro connector
- Rear pillar assist grip with horn
- Touchpad keyless entry system
- Impact sensor<sup>1</sup>
- Battery compartment side panels
- Drive-in rack overhead guard
- Auto height select<sup>1</sup>
- String cutter
- Pencil/tape holder
- Keyless ignition
- 12-Volt power supply (9-10 amps)
- 12-Volt power supply harness extension<sup>1</sup>
- Anti-static strap
- Fully oil-charged lift cylinder<sup>1</sup>
- Steering wheel with knob
- Swivel seat (multiple options available)
- ORS semi-suspension seat (multiple options available)
- Vinyl ORS Araco seat (multiple options available)
- Orange seatbelt
- Lowered 83.3" – 84.9" overhead guard height
- Lowered 81.9" – 83.5" (±1.57") overhead guard with low-profile seat<sup>1</sup>
- Without UL label
- Special paint (one or two color only)
- Hydraulic component guard for sidershifters<sup>1</sup>
- Cloth 20° swivel seat
- Optional battery connector colors (multiple options available)
- Polycarbonate overhead guard cover
- Operator cooling fan<sup>1</sup>
- Exclusive key<sup>1</sup>
- Integral sideshifter hose guard
- French decals

<sup>1</sup> Not available on 8FBC15U or 8FBC18U models

<sup>2</sup> Standard on 8FBC15U and 8FBC18U models

Please contact your local, authorized Toyota Dealer for a complete list of available options.

*Optional Equipment, continued*

**CHASSIS**

- Power steering hose guard
- EZ Pedal (foot directional control)

---

**WHEELS & TIRES**

- Smooth, white, non-marking tires (front & rear)
- Treaded, non-marking tires (front & rear)
- Smooth, black tires (front & rear)
- Smooth, non-marking tires (front & rear)
- Treaded tires (front & rear)
- Wide tread (front tires)<sup>2</sup>
- Wide steer tire (6")<sup>1</sup>

---

**SPECIAL MODEL**

- Compact specification (27.4" battery compartment)<sup>1</sup>
- High-capacity frame (7000 lb.), for beverage industry only<sup>3</sup>
- I.T.A. Class III carriage for QFV mast (requires TR49)<sup>1</sup>
- UL-approved model
  - Type "ES"<sup>1</sup>
  - Type "EE"
- Cold storage model
  - Type "20S"
- Rust proof specification<sup>1</sup>
- 48-Volt model

<sup>1</sup> Not available on 8FBC15U or 8FBC18U models

<sup>2</sup> Not available on 8FBC18U model

<sup>3</sup> Available on 8FBCU32 model only

Please contact your local, authorized Toyota Dealer for a complete list of available options.

# TRUCK SPECIFICATIONS

## MODEL NUMBERS

GENERAL DATA				8FBC15U		8FBC18U	
Load Capacity		lb (kg)		3000 (1500)		3500 (1750)	
Power Type (battery)	Voltage	V	36	48	36	48	
Battery Compartment Length			26.8		26.8		
Operator Position			Seated Rider		Seated Rider		
Tire Type	Front / Rear		Cushion / Cushion		Cushion / Cushion		
Wheels (x = driven)	Front / Rear		2x / 2		2x / 2		
EXTERIOR DIMENSIONS				8FBC15U		8FBC18U	
<b>A</b>	Maximum Fork Height (top of forks)	in (mm)	131 (3335)		131 (3335)		
<b>B</b>	Free-Lift (top of forks)	in (mm)	5.7 (145)		5.7 (145)		
<b>C</b>	Fork Size (T x W x L)	in (mm)	1.4 x 4 x 42 (35 x 100 x 1070)		1.4 x 4 x 42 (35 x 100 x 1070)		
<b>D</b>	Tilt Range (forward / backward)	deg	6 / 8		6/8		
<b>E</b>	Length to Fork Face	in (mm)	76.8 (1950)		76.8 (1950)		
<b>F</b>	Overall Width	in (mm)	37 (945)		37 (945)		
<b>G</b>	Mast Lowered Height	in (mm)	83.1 (2110)		83.1 (2110)		
<b>H</b>	Mast Extended Height (top of load backrest)	in (mm)	179.3 (4555)		179.3 (4555)		
<b>I</b>	Overhead Guard Height	in (mm)	86.4 (2195)		86.4 (2195)		
<b>J</b>	Turning Radius (inside / outside)	in (mm)	66.3 (1685)		66.3 (1685)		
<b>K</b>	Load Distance <sup>1</sup>	in (mm)	15.7 (400)		15.7 (400)		
<b>L</b>	Basic Right-Angle Stacking Aisle Width <sup>2</sup>	in (mm)	82.1 (2085)		82.1 (2085)		
PERFORMANCE DATA				8FBC15U		8FBC18U	
			36V	48V	36V	48V	
Speeds <sup>3</sup>	Maximum Travel (fwd. / rev.)	Full Load	mph (km/h)	11.5 (18.5)	11.5 (18.5)	11.3 (18.3)	11.3 (18.2)
		No Load	mph (km/h)	11.5 (18.5)	11.5 (18.5)	11.5 (18.5)	11.5 (18.5)
	Lifting	Full Load	fpm (mm/sec)	88 (448)	108 (548)	79 (400)	100 (510)
		No Load	fpm (mm/sec)	134 (680)	720 (142)	134 (680)	142 (720)
Lowering	Full Load	fpm (mm/sec)	104 (527)		104 (527)		
	No Load	fpm (mm/sec)	103 (524)		103 (524)		
Drawbar Pull	Full Load / No Load	3-Min. Rating	lb (kg)	2090 (950) / 1700 (770)		2080 (940) / 1670 (760)	
		3-Min. Rating	lb (kg)	2090 (950) / 1700 (770)		2080 (940) / 1670 (760)	
		60-Min. Rating	lb (kg)	540 (250) / 580 (260)		530 (240) / 580 (260)	
Gradeability <sup>*</sup>	Full Load / No Load	3-Min. Rating	%	20 / 21		18 / 20	
		3-Min. Rating	%	20 / 21		18 / 20	
		60-Min. Rating	%	8 / 13		7 / 13	
TRUCK WEIGHTS				8FBC15U		8FBC18U	
Total Weight		lb (kg)	4930 (2240)		5200 (2365)		
Weight Distribution <sup>4</sup>	Full Load (front / rear)	lb (kg)	8360 (3910) / 1410 (660)		9230 (4325) / 1310 (620)		
	No Load (front / rear)	lb (kg)	2880 (1305) / 3890 (1765)		2830 (1285) / 4210 (1910)		
TIRES				8FBC15U		8FBC18U	
Tires	Number (front / rear)		2 / 2		2 / 2		
	Size (front / rear)		18 x 6 x 12-1 / 8 / 14 x 4-1 / 2x8		18 x 6 x 12-1 / 8 / 14 x 4-1 / 2x8		
Wheelbase		in (mm)	48 (1220)		48 (1220)		
Tread Width (front / rear)		in (mm)	31.3 (795) / 32.3 (820)		31.3 (795) / 32.3 (820)		
Underclearance (full load)	Minimum <Drive Axle>	in (mm)	2.6 (65)		2.6 (65)		
	Center of Wheelbase	in (mm)	3.1 (80)		3.1 (80)		
Brake	Service (foot) / Parking		Hydraulic / Foot		Hydraulic / Foot		
POWER SYSTEM				8FBC15U		8FBC18U	
Battery	Voltage / Capacity (STD)	V / Ah	36 / 680	48 / 510	36 / 680	48 / 510	
	6-Hour Rating (high)	V / Ah	36 / 880	48 / 660	36 / 880	48 / 660	
Electric Motors	Drive	kW	8.5	8.5	8.5	8.5	
	Load Handling	kW	10.3	13.2	10.3	13.2	
Control Type	Drive		Transistor Inverter		Transistor Inverter		
	Load Handling		Transistor Inverter		Transistor Inverter		
	Power Steering		Transistor Inverter		Transistor Inverter		
Auxiliary Hydraulic Function Specifications (for attachments) <sup>5</sup>	Max. Operating Pressure	psi (kg/cm <sup>2</sup> )	2000 (140)		2000 (140)		
	Max. Flow Rate	gpm (lpm)	5.28 (20)		5.28 (20)		

\* Computed values.

1 V Mast  
 2 At centerline of front axle to front face of forks.  
 3 Add load length & clearance.  
 4 Please see your local, authorized Toyota dealer for more information.

5 With standard battery  
 6 Values taken at Hydraulic Control Valve. Does not take in to consideration losses through mast plumbing (hosing, fittings, QDs, etc.).

GENERAL DATA				8FBCU20		8FBCU20-COMP		8FBCU25		8FBCU25-COMP	
Load Capacity		lb (kg)		4000 (2000)		4000 (2000)		5000 (2500)		5000 (2500)	
Power Type (battery)	Voltage	V		36	48	36	48	36	48	36	48
Battery Compartment Length		in		30.5		27.4		30.5		27.4	
Operator Position				Seated Rider		Seated Rider		Seated Rider		Seated Rider	
Tire Type	Front / Rear			Cushion / Cushion		Cushion / Cushion		Cushion / Cushion		Cushion / Cushion	
Wheels (x = driven)	Front / Rear			2x / 2		2x / 2		2x / 2		2x / 2	
EXTERIOR DIMENSIONS				8FBCU20		8FBCU20-COMP		8FBCU25		8FBCU25-COMP	
<b>A</b>	Maximum Fork Height (top of forks)	in (mm)		131.5 (3340)		131.5 (3340)		131.5 (3340)		131.5 (3340)	
<b>B</b>	Free-Lift (top of forks)	in (mm)		6.1 (155)		6.1 (155)		6.1 (155)		6.1 (155)	
<b>C</b>	Fork Size (T x W x L)	in (mm)		1.6 x 5 x 42 (40 x 125 x 1070)		1.6 x 5 x 42 (40 x 125 x 1070)		1.6 x 5 x 42 (40 x 125 x 1070)		1.6 x 5 x 42 (40 x 125 x 1070)	
<b>D</b>	Tilt Range (forward / backward)	deg		6 / 8		6 / 8		6 / 8		6 / 8	
<b>E</b>	Length to Fork Face	in (mm)		81.5 (2170)		79.9 (2030)		84.3 (2140)		82.7 (2100)	
<b>F</b>	Overall Width	in (mm)		41.9 (1065)		41.9 (1065)		41.9 (1065)		41.9 (1065)	
<b>G</b>	Mast Lowered Height	in (mm)		83.3 (2115)		83.3 (2115)		83.3 (2115)		83.3 (2115)	
<b>H</b>	Mast Extended Height (top of load backrest)	in (mm)		179.5 (4560)		179.5 (4560)		179.5 (4560)		179.5 (4560)	
<b>I</b>	Overhead Guard Height	in (mm)		88 (2235)		88 (2235)		88 (2235)		88 (2235)	
<b>J</b>	Turning Radius (inside / outside)	in (mm)		70.5 (1790)		68.5 (1740)		70.9 (1800)		68.9 (1750)	
<b>K</b>	Load Distance <sup>1</sup>	in (mm)		16.7 (425)		16.7 (425)		16.7 (425)		16.7 (425)	
<b>L</b>	Basic Right-Angle Stacking Aisle Width <sup>2</sup>	in (mm)		87.2 (2215)		85.2 (2165)		87.6 (2225)		85.6 (2170)	
PERFORMANCE DATA				8FBCU20		8FBCU20-COMP		8FBCU25		8FBCU25-COMP	
				36V	48V	36V	48V	36V	48V	36V	48V
Speeds <sup>3</sup>	Maximum Travel (fwd. / rev.)	Full Load	mph (km/h)	9.9 (16)	11.5 (18.5)	9.9 (16)	11.5 (18.5)	9.6 (15.5)	11.5 (18.5)	9.6 (15.5)	11.5 (18.5)
		No Load	mph (km/h)	11.2 (18)	11.5 (18.5)	11.2 (18)	11.5 (18.5)	10.9 (17.5)	11.5 (18.5)	10.9 (17.5)	11.5 (18.5)
	Lifting	Full Load	fpm (mm/sec)	67 / 340	89 / 450	67 / 340	89 / 450	59 (300)	79 (400)	59 (300)	79 (400)
		No Load	fpm (mm/sec)	106 / 540	130 / 660	106 / 540	130 / 660	106 (540)	130 (660)	106 (540)	130 (660)
	Lowering	Full Load	fpm (mm/sec)	98 (500)		98 (500)		98 (500)		98 (500)	
		No Load	fpm (mm/sec)	98 (500)		98 (500)		98 (500)		98 (500)	
Drawbar Pull	Full Load / No Load	3-Min. Rating	lb (kg)	3320 (1510) / 2140 (970)		3320 (1510) / 2140 (970)		3290 (1490) / 2010 (910)		3290 (1490) / 2010 (910)	
		3-Min. Rating	lb (kg)	3320 (1510) / 2140 (970)		3320 (1510) / 2140 (970)		3290 (1490) / 2010 (910)		3290 (1490) / 2010 (910)	
		60-Min. Rating	lb (kg)	1610 (730) / 1700 (770)		1610 (730) / 1700 (770)		1580 (720) / 1690 (760)		1580 (720) / 1690 (760)	
Gradeability <sup>*</sup>	Full Load / No Load	3-Min. Rating	%	25 / 23		25 / 23		21 / 19		21 / 19	
		3-Min. Rating	%	25 / 23		25 / 23		21 / 19		21 / 19	
		60-Min. Rating	%	11 / 19		11 / 19		9 / 17		9 / 17	
TRUCK WEIGHTS				8FBCU20		8FBCU20-COMP		8FBCU25		8FBCU25-COMP	
Total Weight		lb (kg)		6260 (2840)		6390 (2840)		6960 (3155)		7170 (3250)	
Weight Distribution <sup>4</sup>	Full Load (front / rear)	lb (kg)		10800 (5070) / 1870 (860)		10930 (5130) / 1870 (860)		12410 (5850) / 1950 (900)		12550 (5910) / 2020 (930)	
	No Load (front / rear)	lb (kg)		3620 (1640) / 5050 (2290)		3750 (1700) / 5050 (2290)		3440 (1560) / 5920 (2685)		3580 (1625) / 5990 (2715)	
TIRES				8FBCU20		8FBCU20-COMP		8FBCU25		8FBCU25-COMP	
Tires	Number (front / rear)			2 / 2		2 / 2		2 / 2		2 / 2	
	Size (front / rear)			21 x 7 x 15 / 16 x 5 x 10.5		21 x 7 x 15 / 16 x 5 x 10.5		21 x 7 x 15 / 16 x 5 x 10.5		21 x 7 x 15 / 16 x 5 x 10.5	
Wheelbase		in (mm)		51 (1295)		51 (1295)		51 (1295)		51 (1295)	
Tread Width (front / rear)		in (mm)		35 (890) / 36 (915)		35 (890) / 36 (915)		35 (890) / 36 (915)		35 (890) / 36 (915)	
Underclearance (full load)	Minimum <Mast>	in (mm)		3.0 (75)		3.0 (75)		3.0 (75)		3.0 (75)	
	Center of Wheelbase	in (mm)		3.9 (100)		3.9 (100)		3.9 (100)		3.9 (100)	
Brake	Service (foot) / Parking Brake			Hydraulic / Foot		Hydraulic / Foot		Hydraulic / Foot		Hydraulic / Foot	
POWER SYSTEM				8FBCU20		8FBCU20-COMP		8FBCU25		8FBCU25-COMP	
				36V	48V	36V	48V	36V	48V	36V	48V
Battery	Voltage / Capacity (STD)	V / Ah		36 / 1020	48 / 765	36 / 880	48 / 640	36 / 1020	48 / 765	36 / 880	48 / 640
	6-Hour Rating (High)	V / Ah		36 / 1320	48 / 990	36 / 1210	48 / 880	36 / 1320	48 / 990	36 / 1210	48 / 880
Electric Motors	Drive	kW		10.8	14.8	10.8	14.8	10.8	14.8	10.8	14.8
	Load Handling	kW		11.3	15.1	11.3	15.1	11.3	15.1	11.3	15.1
	Power Steering										
Control Type	Drive			Transistor Inverter		Transistor Inverter		Transistor Inverter		Transistor Inverter	
	Load Handling			Transistor Inverter		Transistor Inverter		Transistor Inverter		Transistor Inverter	
	Power Steering			Transistor Inverter		Transistor Inverter		Transistor Inverter		Transistor Inverter	
Auxiliary Hydraulic Function Specifications (for attachments) <sup>5</sup>	Max. Operating Pressure	psi (kg/cm <sup>2</sup> )		2580 (181)		2580 (181)		2580 (181)		2580 (181)	
	Max. Flow Rate	gpm (lpm)		11.04		11.04		11.04		11.04	
Please see your local, authorized Toyota dealer for more information.											

\* Computed values.

<sup>3</sup> Units ordered with A30H UL "EE" rating will have the same performance characteristics as the UL "E"-rated models. Values indicated reflect speed in H mode. (For S & P mode travel speeds loaded & unloaded, contact your local, authorized Toyota dealer).

<sup>4</sup> With standard battery.

<sup>5</sup> Values taken at Hydraulic Control Valve. Does not take in to consideration losses through mast plumbing (hosing, fittings, QDs, etc.).

<sup>1</sup> At centerline of front axle to front face of forks.  
<sup>2</sup> Add load length & clearance.

# TRUCK SPECIFICATIONS

MODEL NUMBERS

GENERAL DATA			8FBCHU25		8FBCU28		8FBCU30		8FBCU32	
Load Capacity		lb (kg)	5000 (2500)		5500 (2750)		6000 (3000)		6500 (2950)	
Power Type (battery)	Voltage	V	36	48	36	48	36	48	36	48
Battery Compartment Length		in	34.3		30.5		34.3		34.3	
Operator Position			Seated Rider		Seated Rider		Seated Rider		Seated Rider	
Tire Type	Front / Rear		Cushion / Cushion		Cushion / Cushion		Cushion / Cushion		Cushion / Cushion	
Wheels (x = driven)	Front / Rear		2x / 2		2x / 2		2x / 2		2x / 2	

EXTERIOR DIMENSIONS			8FBCHU25		8FBCU28		8FBCU30		8FBCU32	
<b>A</b> Maximum Fork Height (top of forks)		in (mm)	131.5 (3340)		131.5 (3345)		131.5 (3345)		131.5 (3345)	
<b>B</b> Free-Lift (top of forks)		in (mm)	6.1 (155)		5.3 (135)		5.3 (135)		5.3 (135)	
<b>C</b> Fork Size (T x W x L)		in (mm)	1.6 x 5 x 42 (40 x 125 x 1070)		1.6 x 5 x 42 (40 x 125 x 1070)		1.8 x 5 x 42 / (45 x 125 x 1070)		1.8 x 5 x 42 / (45 x 125 x 1070)	
<b>D</b> Tilt Range (forward / backward)		deg	6 / 8		6 / 8		6 / 8		6 / 8	
<b>E</b> Length to Fork Face		in (mm)	85.4 (2170)		87.6 (2225)		89.6 (2275)		91.3 (2320)	
<b>F</b> Overall Width		in (mm)	41.9 (1065)		43.7 (1110)		43.7 (1110)		43.7 (1110)	
<b>G</b> Mast Lowered Height		in (mm)	83.3 (2110)		83.1 (2110)		83.1 (2110)		83.1 (2110)	
<b>H</b> Mast Extended Height (top of load backrest)		in (mm)	179.5 (4560)		179.7 (4565)		179.1 (4565)		179.7 (4565)	
<b>I</b> Overhead Guard Height		in (mm)	88 (2235)		88 (2235)		88 (2235)		88 (2235)	
<b>J</b> Turning Radius (inside / outside)		in (mm)	76.4 (1940)		72.6 (1845)		77.2 (1960)		78.7 (2000)	
<b>K</b> Load Distance <sup>1</sup>		in (mm)	16.7 (425)		17.7 (450)		17.7 (450)		17.7 (450)	
<b>L</b> Basic Right-Angle Stacking Aisle Width <sup>2</sup>		in (mm)	93.1 (2365)		90.3 (2295)		94.9 (2410)		96.4 (2450)	

PERFORMANCE DATA				8FBCHU25		8FBCU28		8FBCU30		8FBCU32	
				36V	48V	36V	48V	36V	48V	36V	48V
Speeds <sup>3</sup>	Maximum Travel (fwd. / rev.)	Full Load	mph (km/h)	9.6 (15.5)	11.5 (18.5)	9.3 (15)	11.5 (18.5)	9.0 (14.5)	11.2 (18)	9.0 (14.5)	11.2 (18)
		No Load	mph (km/h)	10.9 (17.5)	11.5 (18.5)	10.9 (17.5)	11.5 (18.5)	10.6 (17.0)	11.5 (18.5)	10.6 (17)	11.5 (18.5)
	Lifting	Full Load	fpm (mm/sec)	59 (300)	79 (400)	55 (280)	73 (370)	51 (260)	69 (350)	47 (240)	65 (330)
		No Load	fpm (mm/sec)	106 (540)	130 (660)	91 (460)	116 (590)	91 (460)	116 (590)	91 (460)	116 (590)
Lowering	Full Load	fpm (mm/sec)	98 (500)		98 (500)		98 (500)		98 (500)		
	No Load	fpm (mm/sec)	98 (500)		98 (500)		98 (500)		98 (500)		
Drawbar Pull	Full Load / No Load	3-Min. Rating	lb (kg)	3290 (1490) / 2550 (1160)		3170 (1440) / 2110 (960)		3160 (1430) / 2350 (1070)		3160 (1430) / 2270 (1030)	
		3-Min. Rating	lb (kg)	3290 (1490) / 2550 (1160)		3170 (1440) / 2110 (960)		3160 (1430) / 2350 (1070)		3160 (1430) / 2270 (1030)	
		60-Min. Rating	lb (kg)	1580 (720) / 1690 (760)		1510 (690) / 1650 (750)		1460 (660) / 1630 (740)		1460 (660) / 1630 (740)	
Gradeability <sup>*</sup>	Full Load / No Load	3-Min. Rating	%	21 / 24		17 / 20		17 / 20		17 / 19	
		3-Min. Rating	%	21 / 24		17 / 20		17 / 20		17 / 19	
		60-Min. Rating	%	9 / 17		7 / 4		7 / 14		7 / 13	

TRUCK WEIGHTS			8FBCHU25		8FBCU28		8FBCU30		8FBCU32	
Total Weight		lb (kg)	6310 (2860)		8060 (3655)		7700 (3490)		8130 (3685)	
Weight Distribution <sup>4</sup>	Full Load (front / rear)	lb (kg)	12530 (5900) / 1780 (820)		13740 (6460) / 2230 (1030)		14650 (6900) / 2050 (950)		15420 (7180) / 2210 (1060)	
	No Load (front / rear)	lb (kg)	3830 (1735) / 5480 (2485)		3740 (1695) / 6730 (3050)		4080 (1850) / 6620 (3000)		3960 (1795) / 7170 (3250)	

TIRES			8FBCHU25		8FBCU28		8FBCU30		8FBCU32	
Tires	Number (front / rear)		2 / 2		2 / 2		2 / 2		2 / 2	
	Size front / rear		21 x 7 x 15 / 16 x 5 x 10.5		21 x 7 x 15 / 16 x 5 x 10.5		21 x 8 x 15 / 16 x 6 x 10.5		21 x 7 x 15 / 16 x 5 x 10.5	
Wheelbase		in (mm)	54.7 (1390)		51 (1295)		54.7 (1390)		54.7 (1390)	
Tread Width (front / rear)		in (mm)	35 (890) / 36 (915)		35.8 (910) / 36 (915)		35.8 (910) / 36 (915)		35.8 (910) / 36 (915)	
Underclearance (full load)	Minimum <Mast>	in (mm)	3.0 (75)		2.8 (70)		2.8 (70)		2.8 (70)	
	Center of Wheelbase	in (mm)	3.9 (100)		3.9 (100)		3.9 (100)		3.9 (100)	
Brake	Service (foot) / Parking Brake		Hydraulic / Foot		Hydraulic / Foot		Hydraulic / Foot		Hydraulic / Foot	

POWER SYSTEM			8FBCHU25		8FBCU28		8FBCU30		8FBCU32	
			36V	48V	36V	48V	36V	48V	36V	48V
Battery	Voltage / Capacity (STD)	V / Ah	36 / 1190	48 / 850	36 / 1020	48 / 765	36 / 1190	48 / 850	36 / 1190	48 / 850
	6-Hour Rating (high)	V / Ah	36 / 1540	48 / 1100	36 / 1320	48 / 990	36 / 1540	48 / 1100	36 / 1540	48 / 1100
Electric Motors	Drive	kW	10.8	14.8	13.2	18	13.2	18	13.2	18
	Load Handling	kW	11.3	15.1	11.3	15.1	11.3	15.1	11.3	15.1
	Power Steering									
Control Type	Drive		Transistor Inverter		Transistor Inverter		Transistor Inverter		Transistor Inverter	
	Load Handling		Transistor Inverter		Transistor Inverter		Transistor Inverter		Transistor Inverter	
	Power Steering		Transistor Inverter		Transistor Inverter		Transistor Inverter		Transistor Inverter	
Auxiliary Hydraulic Function Specifications (for attachments) <sup>5</sup>	Max Operating Pressure	psi (kg/cm <sup>2</sup> )	2580 (181)		2580 (181)		2580 (181)		2580 (181)	
	Max Flow Rate	gpm (lpm)	11.04		11.04		11.04		11.04	

Please see your local, authorized Toyota dealer for more information.

\* Computed values.

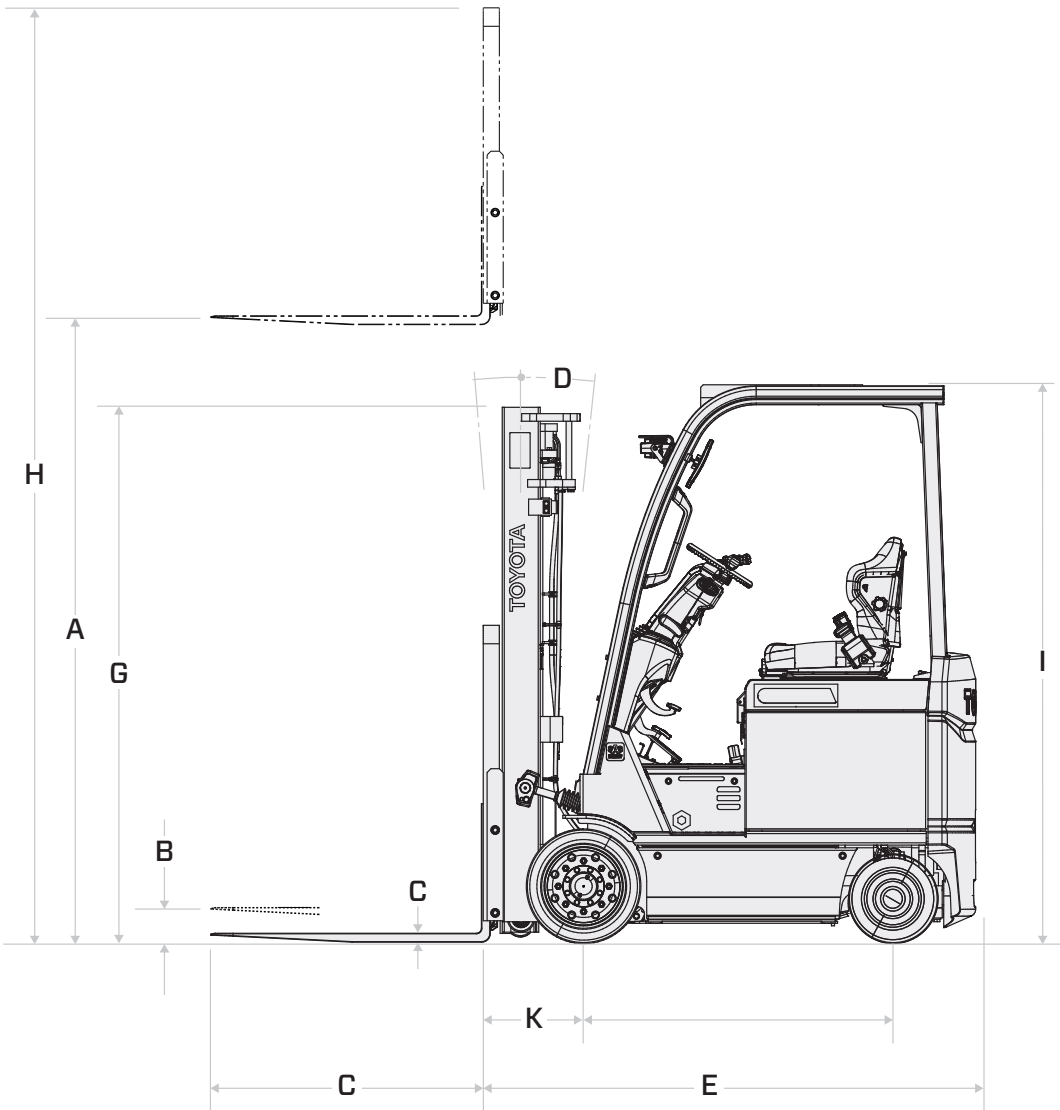
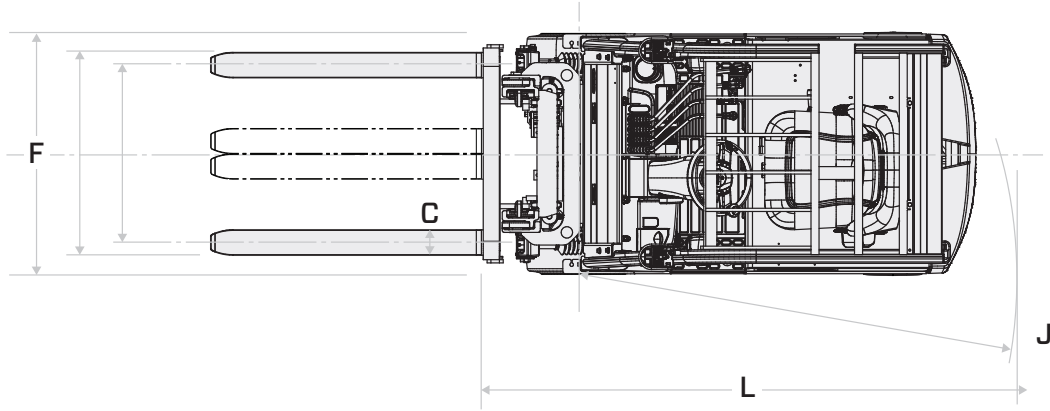
1 At centerline of front axle to front face of forks.  
2 Add load length & clearance.

3 Values indicated reflect speed in H mode. (For S & P mode travel speeds loaded & unloaded, contact your local, authorized Toyota dealer).  
4 With standard battery.

5 Values taken at Hydraulic Control Valve. Does not take in to consideration losses through mast plumbing (hosing, fittings, QDs, etc.).



# EXTERIOR DIMENSIONS



## MAST SPECIFICATIONS

MAST TYPE	MAXIMUM FORK HEIGHT (TOP OF FORKS)	OVERALL HEIGHT			FREE-LIFT		SINGLE TIRE			
		LOWERED	EXTENDED		WITHOUT LOAD BACKREST	WITH STANDARD LOAD BACKREST <sup>1</sup>	TILT RANGE		LOAD CAPACITY AT 24 IN. (600 MM) LOAD CENTER	
			WITHOUT LOAD BACKREST	WITH STANDARD LOAD BACKREST <sup>1</sup>			FWD	BWD	NARROW TREAD	WIDE TREAD
	in (mm)	in (mm)	in (mm)	in (mm)	in (mm)	in (mm)	deg	deg	lb (kg)	lb (kg)
<b>8FBC15U</b>										
Wide Visible (V)	131 (3335)	83.1 (2110)	152.4 (3870)	179.3 (4555)	5.7 (145)	5.7 (145)	6	8	3000 (1340)	3000 (1340)
Full Free-Lift 2-Stage (FV)	131 (3335)	83.1 (2110)	150.6 (3825)	179.3 (4555)	35.1 (1585)	35.1 (890)	6	8	3000 (1340)	3000 (1340)
Full Free-Lift 3-Stage (FSV)	170.5 (4335)	77.2 (1960)	191.5 (4865)	218.7 (5555)	29.2 (1395)	29.2 (740)	6	5	2900 (1300)	2900 (1300)
	189 (4800)	83.1 (2110)	209.4 (5320)	237 (6020)	35.1 (1545)	35.1 (890)	6	5	2800 (1250)	2800 (1250)
	198 (5035)	87 (22100)	219.1 (5565)	246.3 (6255)	39 (1645)	39 (990)	6	5	2750 (1230)	2750 (1230)
	217.5 (5535)	93.3 (2370)	238.8 (6065)	265.9 (6755)	45.3 (1805)	45.3 (1150)	6	5	2200 (990)	2650 (1190)

MAST TYPE	MAXIMUM FORK HEIGHT (TOP OF FORKS)	OVERALL HEIGHT			FREE-LIFT		SINGLE TIRE			
		LOWERED	EXTENDED		WITHOUT LOAD BACKREST	WITH STANDARD LOAD BACKREST <sup>1</sup>	TILT RANGE		LOAD CAPACITY AT 24 IN. (600 MM) LOAD CENTER	
			WITHOUT LOAD BACKREST	WITH STANDARD LOAD BACKREST <sup>1</sup>			FWD	BWD	NARROW TREAD	WIDE TREAD
	in (mm)	in (mm)	in (mm)	in (mm)	in (mm)	in (mm)	deg	deg	lb (kg)	lb (kg)
<b>8FBC18U</b>										
Wide Visible (V)	131 (3335)	83.1 (2110)	152.4 (3870)	179.3 (4555)	5.7 (145)	5.7 (145)	6	8	3500 (1570)	-
Full Free-Lift 2-Stage (FV)	131 (3335)	83.1 (2110)	150.6 (3825)	179.3 (4555)	35.1 (1585)	35.1 (890)	6	8	3500 (1570)	-
Full Free-Lift 3-Stage (FSV)	170.5 (4335)	77.2 (1960)	191.5 (4865)	218.7 (5555)	29.2 (1395)	29.2 (740)	6	5	3400 (1570)	-
	189 (4800)	83.1 (2110)	209.4 (5320)	237 (6020)	35.1 (1545)	35.1 (890)	6	5	3050 (1410)	-
	198 (5035)	87 (22100)	219.1 (5565)	246.3 (6255)	39 (1645)	39 (990)	6	5	3090 (1350)	-
	217.5 (5535)	93.3 (2370)	238.8 (6065)	265.9 (6755)	45.3 (1805)	45.3 (1150)	6	5	2800 (1150)	-

<sup>1</sup> Height of standard load backrest is 48" (1220 mm).

MAST TYPE	MAXIMUM FORK HEIGHT (TOP OF FORKS)	OVERALL HEIGHT				FREE-LIFT		TILT RANGE		LOAD CAPACITY AT 24 IN. (600 MM) LOAD CENTER	
		LOWERED	EXTENDED		WITHOUT LOAD BACKREST	WITH STANDARD LOAD BACKREST <sup>1</sup>	FWD	BWD	STANDARD TREAD	WIDE TREAD	
			WITHOUT LOAD BACKREST	WITH STANDARD LOAD BACKREST <sup>1</sup>							
			in (mm)	in (mm)							
<b>8FBCU20</b>											
Wide Visible (V)	80 (2040)	57.7 (1465)	105.9 (2690)	128.3 (3260)	6.1 (155)	6.1 (155)	6	5	4000 (1810)	4000 (1810)	
	119.5 (3040)	77.4 (1965)	145.2 (3690)	167.7 (4260)	6.1 (155)	6.1 (155)	6	8	4000 (1810)	4000 (1810)	
	131.5 (3340)	83.3 (2115)	157.1 (3990)	179.5 (4560)	6.1 (155)	6.1 (155)	6	8	4000 (1810)	4000 (1810)	
	139 (3540)	87.2 (2215)	164.9 (4190)	187.4 (4760)	6.1 (155)	6.1 (155)	6	8	4000 (1810)	4000 (1810)	
	147 (3740)	93.5 (2375)	173.8 (4390)	195.3 (4960)	6.1 (155)	6.1 (155)	6	8	4000 (1810)	4000 (1810)	
Full Free-Lift 2-Stage (FV)	159 (4040)	101 (2565)	184.6 (4690)	207.1 (5260)	6.1 (155)	6.1 (155)	6	8	4000 (1810)	4000 (1810)	
	119.5 (3040)	77.4 (1965)	143.5 (3645)	167.7 (4260)	53.6 (1360)	29.3 (745)	6	8	4000 (1810)	4000 (1810)	
	131.5 (3340)	83.3 (2115)	155.3 (3945)	179.5 (4560)	59.5 (1510)	35.2 (895)	6	8	4000 (1810)	4000 (1810)	
Full Free-Lift 3-Stage (FSV)	139 (3540)	87.2 (2215)	163.1 (4145)	187.4 (4760)	63.4 (1610)	39.2 (995)	6	8	4000 (1810)	4000 (1810)	
	159 (4040)	73.4 (1865)	184.2 (4680)	207.1 (5260)	48.1 (1220)	25.4 (645)	6	5	4000 (1810)	4000 (1810)	
	170.5 (4340)	77.4 (1965)	196 (4980)	218.9 (5560)	52 (1320)	29.4 (745)	6	5	4000 (1810)	4000 (1810)	
	189 (4800)	83.3 (2115)	214.3 (5445)	237.2 (6025)	57.9 (1470)	35.3 (895)	6	5	3900 (1770)	3900 (1770)	
	198 (5040)	87.2 (2215)	223.6 (5680)	246.5 (6260)	61.9 (1570)	39.2 (995)	6	5	3850 (1750)	3850 (1750)	
	218 (5540)	93.5 (2375)	243.3 (6180)	266.1 (6760)	68.2 (1150)	45.5 (1155)	6	5	3650 (1660)	3650 (1660)	
Full Free-Lift 4-Stage (QFV)	237.5 (6040)	101 (2565)	263 (6680)	285.8 (7260)	75.6 (1340)	53 (1345)	6	5	-	3500 (1590)	
	241.5 (6100)	83.1 (2110)	262.6 (6670)	289.6 (7355)	62.1 (1575)	35 (890)	6	5	-	3700 (1680)	
	259.5 (6600)	89 (2260)	280.7 (7130)	307.7 (7815)	68 (1725)	40.9 (1040)	6	5	-	3200 (1450)	
	278 (700)	95.3 (2420)	298.8 (7590)	325.8 (8275)	74.3 (1885)	47.2 (1200)	6	5	-	1900 (860)	

MAST TYPE	MAXIMUM FORK HEIGHT (TOP OF FORKS)	OVERALL HEIGHT				FREE-LIFT		TILT RANGE		LOAD CAPACITY AT 24 IN. (600 MM) LOAD CENTER	
		LOWERED	EXTENDED		WITHOUT LOAD BACKREST	WITH STANDARD LOAD BACKREST <sup>1</sup>	FWD	BWD	STANDARD TREAD	WIDE TREAD	
			WITHOUT LOAD BACKREST	WITH STANDARD LOAD BACKREST <sup>1</sup>							
			in (mm)	in (mm)							
<b>8FBCU20-COMP</b>											
Wide Visible (V)	80 (2040)	57.7 (1465)	105.9 (2690)	128.3 (3260)	6.1 (155)	6.1 (155)	6	5	4000 (1810)	4000 (1810)	
	119.5 (3040)	77.4 (1965)	145.2 (3690)	167.7 (4260)	6.1 (155)	6.1 (155)	6	8	4000 (1810)	4000 (1810)	
	131.5 (3340)	83.3 (2115)	157.1 (3990)	179.5 (4560)	6.1 (155)	6.1 (155)	6	8	4000 (1810)	4000 (1810)	
	139 (3540)	87.2 (2215)	164.9 (4190)	187.4 (4760)	6.1 (155)	6.1 (155)	6	8	4000 (1810)	4000 (1810)	
	147 (3740)	93.5 (2375)	173.8 (4390)	195.3 (4960)	6.1 (155)	6.1 (155)	6	8	4000 (1810)	4000 (1810)	
Full Free-Lift 2-Stage (FV)	159 (4040)	101 (2565)	184.6 (4690)	207.1 (5260)	6.1 (155)	6.1 (155)	6	8	4000 (1810)	4000 (1810)	
	119.5 (3040)	77.4 (1965)	143.5 (3645)	167.7 (4260)	53.6 (1360)	29.3 (745)	6	8	4000 (1810)	4000 (1810)	
	131.5 (3340)	83.3 (2115)	155.3 (3945)	179.5 (4560)	59.5 (1510)	35.2 (895)	6	8	4000 (1810)	4000 (1810)	
Full Free-Lift 3-Stage (FSV)	139 (3540)	87.2 (2215)	163.1 (4145)	187.4 (4760)	63.4 (1610)	39.2 (995)	6	8	4000 (1810)	4000 (1810)	
	159 (4040)	73.4 (1865)	184.2 (4680)	207.1 (5260)	48.1 (1220)	25.4 (645)	6	5	4000 (1810)	4000 (1810)	
	170.5 (4340)	77.4 (1965)	196 (4980)	218.9 (5560)	52 (1320)	29.4 (745)	6	5	4000 (1810)	4000 (1810)	
	189 (4800)	83.3 (2115)	214.3 (5445)	237.2 (6025)	57.9 (1470)	35.3 (895)	6	5	3900 (1770)	3900 (1770)	
	198 (5040)	87.2 (2215)	223.6 (5680)	246.5 (6260)	61.9 (1570)	39.2 (995)	6	5	3850 (1750)	3850 (1750)	
	218 (5540)	93.5 (2375)	243.3 (6180)	266.1 (6760)	68.2 (1150)	45.5 (1155)	6	5	3650 (1660)	3650 (1660)	
Full Free-Lift 4-Stage (QFV)	237.5 (6040)	101 (2565)	263 (6680)	285.8 (7260)	75.6 (1340)	53 (1345)	6	5	-	3500 (1590)	
	241.5 (6100)	83.1 (2110)	262.6 (6670)	289.6 (7355)	62.1 (1575)	35 (890)	6	5	-	3550 (1610)	
	259.5 (6600)	89 (2260)	280.7 (7130)	307.7 (7815)	68 (1725)	40.9 (1040)	6	5	-	3200 (1440)	
	278 (700)	95.3 (2420)	298.8 (7590)	325.8 (8275)	74.3 (1885)	47.2 (1200)	6	5	-	1900 (860)	

<sup>1</sup> Height of standard load backrest is 48" (1220 mm).

# MAST SPECIFICATIONS

MAST TYPE	MAXIMUM FORK HEIGHT (TOP OF FORKS)	OVERALL HEIGHT			FREE-LIFT		TILT RANGE		LOAD CAPACITY AT 24 IN. (600 MM) LOAD CENTER	
		LOWERED	EXTENDED		WITHOUT LOAD BACKREST	WITH STANDARD LOAD BACKREST <sup>1</sup>	FWD	BWD	STANDARD TREAD	WIDE TREAD
			WITHOUT LOAD BACKREST	WITH STANDARD LOAD BACKREST <sup>1</sup>						
8FBCU25										
Wide Visible (V)	80.5 (2040)	57.7 (1465)	105.9 (2690)	128.3 (3260)	6.1 (155)	6.1 (155)	6	5	5000 (2270)	5000 (2270)
	119.5 (3040)	77.4 (1965)	145.2 (3690)	167.7 (4260)	6.1 (155)	6.1 (155)	6	8	5000 (2270)	5000 (2270)
	131.5 (3340)	83.3 (2115)	157.1 (3990)	179.5 (4560)	6.1 (155)	6.1 (155)	6	8	5000 (2270)	5000 (2270)
	139.0 (3540)	87.2 (2215)	164.9 (4190)	187.4 (4760)	6.1 (155)	6.1 (155)	6	8	5000 (2270)	5000 (2270)
	147 (3740)	93.5 (2375)	173.8 (4390)	195.3 (4960)	6.1 (155)	6.1 (155)	6	8	5000 (2270)	5000 (2270)
Full Free-Lift 2-Stage (FV)	159 (4040)	101 (2565)	184.6 (4690)	207.1 (5260)	6.1 (155)	6.1 (155)	6	8	5000 (2270)	5000 (2270)
	119.5 (3040)	77.4 (1965)	143.5 (3645)	167.7 (4260)	53.6 (1360)	29.3 (745)	6	8	5000 (2270)	5000 (2270)
Full Free-Lift 3-Stage (FSV)	131.5 (3340)	83.3 (2115)	155.3 (3945)	179.5 (4560)	59.5 (1510)	35.2 (895)	6	8	5000 (2270)	5000 (2270)
	139 (3540)	87.2 (2215)	163.1 (4145)	187.4 (4760)	63.4 (1610)	39.2 (995)	6	8	5000 (2270)	5000 (2270)
	159 (4040)	73.4 (1865)	184.2 (4680)	207.1 (5260)	48.1 (1220)	25.4 (645)	6	5	5000 (2270)	5000 (2270)
	170.5 (4340)	77.4 (1965)	196 (4980)	218.9 (5560)	52 (1320)	29.4 (745)	6	5	5000 (2270)	5000 (2270)
	189 (4800)	83.3 (2115)	214.3 (5445)	237.2 (6025)	57.9 (1470)	35.3 (895)	6	5	4850 (2200)	4850 (2200)
Full Free-Lift 4-Stage (QFV)	198 (5040)	87.2 (2215)	223.6 (5680)	246.5 (6260)	61.9 (1570)	39.2 (995)	6	5	4750 (2150)	4750 (2150)
	218 (5540)	93.5 (2375)	243.3 (6180)	266.1 (6760)	68.2 (1150)	45.5 (1155)	6	5	—	4600 (2090)
	237.5 (6040)	101 (2565)	263 (6680)	285.8 (7260)	75.6 (1340)	53 (1345)	6	5	—	4000 (1810)
Full Free-Lift 4-Stage (QFV)	241.5 (6100)	83.1 (2110)	262.6 (6670)	289.6 (7355)	62.1 (1575)	35 (890)	6	5	—	4400 (2000)
	259.5 (6600)	89 (2260)	280.7 (7130)	307.7 (7815)	68 (1725)	40.9 (1040)	6	5	—	3850 (1750)
	278 (700)	95.3 (2420)	298.8 (7590)	325.8 (8275)	74.3 (1885)	47.2 (1200)	6	5	—	2500 (1130)

MAST TYPE	MAXIMUM FORK HEIGHT (TOP OF FORKS)	OVERALL HEIGHT			FREE-LIFT		TILT RANGE		LOAD CAPACITY AT 24 IN. (600 MM) LOAD CENTER	
		LOWERED	EXTENDED		WITHOUT LOAD BACKREST	WITH STANDARD LOAD BACKREST <sup>1</sup>	FWD	BWD	STANDARD TREAD	WIDE TREAD
			WITHOUT LOAD BACKREST	WITH STANDARD LOAD BACKREST <sup>1</sup>						
8FBCU25-COMP										
Wide Visible (V)	80.5 (2040)	57.7 (1465)	105.9 (2690)	128.3 (3260)	6.1 (155)	6.1 (155)	6	5	5000 (2270)	5000 (2270)
	119.5 (3040)	77.4 (1965)	145.2 (3690)	167.7 (4260)	6.1 (155)	6.1 (155)	6	8	5000 (2270)	5000 (2270)
	131.5 (3340)	83.3 (2115)	157.1 (3990)	179.5 (4560)	6.1 (155)	6.1 (155)	6	8	5000 (2270)	5000 (2270)
	139.0 (3540)	87.2 (2215)	164.9 (4190)	187.4 (4760)	6.1 (155)	6.1 (155)	6	8	5000 (2270)	5000 (2270)
	147 (3740)	93.5 (2375)	173.8 (4390)	195.3 (4960)	6.1 (155)	6.1 (155)	6	8	5000 (2270)	5000 (2270)
Full Free-Lift 2-Stage (FV)	159 (4040)	101 (2565)	184.6 (4690)	207.1 (5260)	6.1 (155)	6.1 (155)	6	8	5000 (2270)	5000 (2270)
	119.5 (3040)	77.4 (1965)	143.5 (3645)	167.7 (4260)	53.6 (1360)	29.3 (745)	6	8	5000 (2270)	5000 (2270)
Full Free-Lift 3-Stage (FSV)	131.5 (3340)	83.3 (2115)	155.3 (3945)	179.5 (4560)	59.5 (1510)	35.2 (895)	6	8	5000 (2270)	5000 (2270)
	139 (3540)	87.2 (2215)	163.1 (4145)	187.4 (4760)	63.4 (1610)	39.2 (995)	6	8	5000 (2270)	5000 (2270)
	159 (4040)	73.4 (1865)	184.2 (4680)	207.1 (5260)	48.1 (1220)	25.4 (645)	6	5	5000 (2270)	5000 (2270)
	170.5 (4340)	77.4 (1965)	196 (4980)	218.9 (5560)	52 (1320)	29.4 (745)	6	5	5000 (2270)	5000 (2270)
	189 (4800)	83.3 (2115)	214.3 (5445)	237.2 (6025)	57.9 (1470)	35.3 (895)	6	5	4850 (2200)	4850 (2200)
Full Free-Lift 4-Stage (QFV)	198 (5040)	87.2 (2215)	223.6 (5680)	246.5 (6260)	61.9 (1570)	39.2 (995)	6	5	4750 (2150)	4750 (2150)
	218 (5540)	93.5 (2375)	243.3 (6180)	266.1 (6760)	68.2 (1150)	45.5 (1155)	6	5	—	4550 (2060)
	237.5 (6040)	101 (2565)	263 (6680)	285.8 (7260)	75.6 (1340)	53 (1345)	6	5	—	4400 (2000)
Full Free-Lift 4-Stage (QFV)	241.5 (6100)	83.1 (2110)	262.6 (6670)	289.6 (7355)	62.1 (1575)	35 (890)	6	5	—	4200 (1900)
	259.5 (6600)	89 (2260)	280.7 (7130)	307.7 (7815)	68 (1725)	40.9 (1040)	6	5	—	3950 (1790)
	278 (700)	95.3 (2420)	298.8 (7590)	325.8 (8275)	74.3 (1885)	47.2 (1200)	6	5	—	2700 (1220)

<sup>1</sup> Height of standard load backrest is 48" (1220 mm).

MAST TYPE	MAXIMUM FORK HEIGHT (TOP OF FORKS)	OVERALL HEIGHT				FREE-LIFT		TILT RANGE		LOAD CAPACITY AT 24 IN. (600 MM) LOAD CENTER	
		LOWERED	EXTENDED		WITHOUT LOAD BACKREST	WITH STANDARD LOAD BACKREST <sup>1</sup>	FWD	BWD	STANDARD TREAD	WIDE TREAD	
			WITHOUT LOAD BACKREST	WITH STANDARD LOAD BACKREST <sup>1</sup>							
			in (mm)	in (mm)							deg
<b>8FBCHU25</b>											
Wide Visible (V)	80.0 (2040)	57.7 (1465)	105.9 (2690)	128.3 (3260)	6.1 (155)	6.1 (155)	6	5	5000 (2270)	5000 (2270)	
	119.5 (3040)	77.4 (1965)	145.2 (3690)	167.7 (4260)	6.1 (155)	6.1 (155)	6	8	5000 (2270)	5000 (2270)	
	131.5 (3340)	83.3 (2115)	157.1 (3990)	179.5 (4560)	6.1 (155)	6.1 (155)	6	8	5000 (2270)	5000 (2270)	
	139.0 (3540)	87.2 (2215)	164.9 (4190)	187.4 (4760)	6.1 (155)	6.1 (155)	6	8	5000 (2270)	5000 (2270)	
	147 (3740)	93.5 (2375)	173.8 (4390)	195.3 (4960)	6.1 (155)	6.1 (155)	6	8	5000 (2270)	5000 (2270)	
Full Free-Lift 2-Stage (FV)	159 (4040)	101 (2565)	184.6 (4690)	207.1 (5260)	6.1 (155)	6.1 (155)	6	8	5000 (2270)	5000 (2270)	
	119.5 (3040)	77.4 (1965)	143.5 (3645)	167.7 (4260)	53.6 (1360)	29.3 (745)	6	8	5000 (2270)	5000 (2270)	
	131.5 (3340)	83.3 (2115)	155.3 (3945)	179.5 (4560)	59.5 (1510)	35.2 (895)	6	8	5000 (2270)	5000 (2270)	
Full Free-Lift 3-Stage (FSV)	139 (3540)	87.2 (2215)	163.1 (4145)	187.4 (4760)	63.4 (1610)	39.2 (995)	6	8	5000 (2270)	5000 (2270)	
	159 (4040)	73.4 (1865)	184.2 (4680)	207.1 (5260)	48.1 (1220)	25.4 (645)	6	5	5000 (2270)	5000 (2270)	
	170.5 (4340)	77.4 (1965)	196 (4980)	218.9 (5560)	52 (1320)	29.4 (745)	6	5	5000 (2270)	5000 (2270)	
	189 (4800)	83.3 (2115)	214.3 (5445)	237.2 (6025)	57.9 (1470)	35.3 (895)	6	5	4850 (2200)	4850 (2200)	
	198 (5040)	87.2 (2215)	223.6 (5680)	246.5 (6260)	61.9 (1570)	39.2 (995)	6	5	4750 (2150)	4750 (2150)	
Full Free-Lift 4-Stage (QFV)	218 (5540)	93.5 (2375)	243.3 (6180)	266.1 (6760)	68.2 (1150)	45.5 (1155)	6	5	—	4600 (2090)	
	237.5 (6040)	101 (2565)	263 (6680)	285.8 (7260)	75.6 (1340)	53 (1345)	6	5	—	4150 (1880)	
	241.5 (6100)	83.1 (2110)	262.6 (6670)	289.6 (7355)	62.1 (1575)	35 (890)	6	5	—	4250 (1930)	
	259.5 (6600)	89 (2260)	280.7 (7130)	307.7 (7815)	68 (1725)	40.9 (1040)	6	5	—	4000 (1810)	
	278 (700)	95.3 (2420)	298.8 (7590)	325.8 (8275)	74.3 (1885)	47.2 (1200)	6	5	—	2850 (1290)	

MAST TYPE	MAXIMUM FORK HEIGHT (TOP OF FORKS)	OVERALL HEIGHT				FREE-LIFT		TILT RANGE		LOAD CAPACITY AT 24 IN. (600 MM) LOAD CENTER	
		LOWERED	EXTENDED		WITHOUT LOAD BACKREST	WITH STANDARD LOAD BACKREST <sup>1</sup>	FWD	BWD	STANDARD TREAD	WIDE TREAD	
			WITHOUT LOAD BACKREST	WITH STANDARD LOAD BACKREST <sup>1</sup>							
			in (mm)	in (mm)							in (mm)
<b>8FBCHU28</b>											
Wide Visible (V)	80.5 (2045)	57.5 (1460)	107.9 (2740)	128.5 (3265)	5.3 (135)	5.3 (135)	6	5	5500 (2490)	5500 (2490)	
	119.5 (3045)	77.2 (1960)	147.2 (3740)	167.9 (4265)	5.3 (135)	5.3 (135)	6	8	5500 (2490)	5500 (2490)	
	131.5 (3345)	83.1 (2110)	159.1 (4040)	179.7 (4565)	5.3 (135)	5.3 (135)	6	8	5500 (2490)	5500 (2490)	
	139.5 (3545)	87 (2210)	166.9 (4240)	187.6 (4765)	5.3 (135)	5.3 (135)	6	8	5500 (2490)	5500 (2490)	
	147 (3745)	93.3 (2370)	174.8 (4440)	195.5 (4965)	5.3 (135)	5.3 (135)	6	8	5500 (2490)	5500 (2490)	
Full Free-Lift 2-Stage (FV)	159 (4045)	100.8 (2560)	186.6 (4740)	207.3 (5265)	5.3 (135)	5.3 (135)	6	8	5500 (2490)	5500 (2490)	
	119.5 (3045)	77.2 (1960)	143.9 (3655)	167.8 (4265)	53.2 (1350)	29.2 (740)	6	8	5500 (2490)	5500 (2490)	
	131.5 (3345)	83.1 (2110)	155.8 (3955)	179.7 (4565)	59.1 (1500)	35.1 (890)	6	8	5500 (2490)	5500 (2490)	
Full Free-Lift 3-Stage (FSV)	139.5 (3545)	87 (2210)	163.7 (4155)	187.5 (4765)	63.1 (1600)	39.1 (990)	6	8	5500 (2490)	5500 (2490)	
	159 (4045)	77.2 (1960)	183.2 (4655)	207.2 (5265)	53.1 (1349)	50.1 (1273)	6	5	5500 (2490)	5500 (2490)	
	171 (4345)	83.1 (2110)	195 (4955)	219 (5565)	59.1 (1501)	56 (1422)	6	5	5350 (2430)	5350 (2430)	
	187 (4750)	87 (2210)	210.8 (5355)	234.8 (5965)	63 (1660)	59.9 (1521)	6	5	5300 (2400)	5300 (2400)	
	198.5 (5045)	93.3 (2370)	222.6 (5655)	246.6 (6265)	69.3 (1760)	66.2 (1681)	6	5	5250 (2380)	5250 (2380)	
Full Free-Lift 4-Stage (QFV) <sup>2</sup>	218 (5545)	100.8 (2560)	242.3 (6155)	266.3 (6765)	76.8 (1951)	73.7 (1872)	6	5	5050 (2290)	5050 (2290)	
	237.5 (6045)	110.5 (2810)	262 (6655)	285.9 (7265)	86.6 (2200)	83.5 (2121)	6	5	4250 (1920)	4850 (2200)	
	241.5 (6100)	83.1 (2110)	262.6 (6670)	289.6 (7355)	62.1 (1575)	35 (890)	6	5	—	4500 (2040)	
	259.5 (6600)	89 (2260)	280.7 (7130)	307.7 (7815)	68 (1725)	40.9 (1040)	6	5	—	3200 (1440)	
	278 (7000)	95.3 (2420)	298.8 (7590)	325.8 (8275)	74.3 (1885)	47.2 (1200)	6	5	—	1900 (860)	

\* All capacities of 1500 lbs. or less are subject to a secondary review & could be denied by Toyota.

<sup>1</sup> Height of standard load backrest is 48" (1220 mm).

<sup>2</sup> QFV mast has 36"-wide Class II carriage.

# MAST SPECIFICATIONS

MAST TYPE	MAXIMUM FORK HEIGHT (TOP OF FORKS)	OVERALL HEIGHT				FREE-LIFT		TILT RANGE		LOAD CAPACITY AT 24 IN. (600 MM) LOAD CENTER	
		LOWERED	EXTENDED		WITHOUT LOAD BACKREST	WITH STANDARD LOAD BACKREST <sup>1</sup>	FWD	BWD	STANDARD TREAD	WIDE TREAD	
			WITHOUT LOAD BACKREST	WITH STANDARD LOAD BACKREST <sup>1</sup>							
in (mm)	in (mm)	in (mm)	in (mm)	in (mm)	in (mm)	deg	deg	lb (kg)	lb (kg)		
<b>8FBCU30</b>											
Wide Visible (V)	80.5 (2045)	57.5 (1460)	107.9 (2740)	128.5 (3265)	5.3 (135)	5.3 (135)	6	5	6000 (2720)	6000 (2720)	
	119.5 (3045)	77.2 (1960)	147.2 (3740)	167.9 (4265)	5.3 (135)	5.3 (135)	6	8	6000 (2720)	6000 (2720)	
	131.5 (3345)	83.1 (2110)	159.1 (4040)	179.7 (4565)	5.3 (135)	5.3 (135)	6	8	6000 (2720)	6000 (2720)	
	139.5 (3545)	87 (2210)	166.9 (4240)	187.6 (4765)	5.3 (135)	5.3 (135)	6	8	6000 (2720)	6000 (2720)	
	147 (3745)	93.3 (2370)	174.8 (4440)	195.5 (4965)	5.3 (135)	5.3 (135)	6	8	6000 (2720)	6000 (2720)	
Full Free-Lift 2-Stage (FV)	159 (4045)	100.8 (2560)	186.6 (4740)	207.3 (5265)	5.3 (135)	5.3 (135)	6	8	6000 (2720)	6000 (2720)	
	119.5 (3045)	77.2 (1960)	143.9 (3655)	167.8 (4265)	53.2 (1350)	29.2 (740)	6	8	6000 (2720)	6000 (2720)	
	131.5 (3345)	83.1 (2110)	155.7 (3955)	179.7 (4565)	59.1 (1500)	35.1 (890)	6	8	6000 (2720)	6000 (2720)	
Full Free-Lift 3-Stage (FSV)	139.5 (3545)	87 (2210)	163.5 (4155)	187.5 (4765)	63.1 (1600)	39.1 (990)	6	8	6000 (2720)	6000 (2720)	
	159 (4045)	77.2 (1960)	183.2 (4655)	207.2 (5265)	53.1 (1349)	29.2 (745)	6	5	6000 (2720)	6000 (2720)	
	171 (4345)	83.1 (2110)	195 (4955)	219 (5565)	59.1 (1501)	35.1 (890)	6	5	5900 (2680)	5900 (2680)	
	187 (4750)	87 (2210)	210.8 (5355)	234.8 (5965)	63 (1660)	39.1 (990)	6	5	5800 (2630)	5800 (2630)	
	198.5 (5045)	93.3 (2370)	222.6 (5655)	246.6 (6265)	69.3 (1760)	45.4 (1150)	6	5	5650 (2560)	5650 (2560)	
	218 (5545)	100.8 (2560)	242.3 (6155)	266.3 (6765)	76.8 (1951)	52.9 (1340)	6	5	5450 (2470)	5450 (2470)	
Full Free-Lift 4-Stage (QFV) <sup>2</sup>	237.5 (6045)	110.6 (2810)	262 (6655)	285.9 (7265)	86.6 (2200)	62.7 (1590)	6	5	4400 (1990)	5250 (2380)	
	241.5 (6100)	83.1 (2110)	262.6 (6670)	289.6 (7355)	62.1 (1575)	35 (890)	6	5	—	4500 (2040)	
	259.5 (6600)	89 (2260)	280.7 (7130)	307.7 (7815)	68 (1725)	40.9 (1040)	6	5	—	3450 (1560)	
	278 (7000)	95.3 (2420)	298.8 (7590)	325.8 (8275)	74.3 (1885)	47.2 (1200)	6	5	—	2250 (1020)	

MAST TYPE	MAXIMUM FORK HEIGHT (TOP OF FORKS)	OVERALL HEIGHT				FREE-LIFT		TILT RANGE		LOAD CAPACITY AT 24 IN. (600 MM) LOAD CENTER	
		LOWERED	EXTENDED		WITHOUT LOAD BACKREST	WITH STANDARD LOAD BACKREST <sup>1</sup>	FWD	BWD	STANDARD TREAD	WIDE TREAD	
			WITHOUT LOAD BACKREST	WITH STANDARD LOAD BACKREST <sup>1</sup>							
in (mm)	in (mm)	in (mm)	in (mm)	in (mm)	in (mm)	deg	deg	lb (kg)	lb (kg)		
<b>8FBCU32</b>											
Wide Visible (V)	80.5 (2045)	57.5 (1460)	107.9 (2740)	128.5 (3265)	5.3 (135)	5.3 (135)	6	5	6500 (2950)	6500 (2950)	
	119.5 (3045)	77.2 (1960)	147.2 (3740)	167.9 (4265)	5.3 (135)	5.3 (135)	6	8	6500 (2950)	6500 (2950)	
	131.5 (3345)	83.1 (2110)	159.1 (4040)	179.7 (4565)	5.3 (135)	5.3 (135)	6	8	6500 (2950)	6500 (2950)	
	139.5 (3545)	87 (2210)	166.9 (4240)	187.6 (4765)	5.3 (135)	5.3 (135)	6	8	6500 (2950)	6500 (2950)	
	147 (3745)	93.3 (2370)	174.8 (4440)	195.5 (4965)	5.3 (135)	5.3 (135)	6	8	6500 (2950)	6500 (2950)	
Full Free-Lift 2-Stage (FV)	159 (4045)	100.8 (2560)	186.6 (4740)	207.3 (5265)	5.3 (135)	5.3 (135)	6	8	6500 (2950)	6500 (2950)	
	119.5 (3045)	77.2 (1960)	147 (3735)	167.8 (4265)	50.1 (1270)	29.2 (740)	6	8	6500 (2950)	6500 (2950)	
	131.5 (3345)	83.1 (2110)	158.8 (4035)	179.7 (4565)	56 (1420)	35.1 (890)	6	8	6500 (2950)	6500 (2950)	
Full Free-Lift 3-Stage (FSV)	139.5 (3545)	87 (2210)	166.7 (4235)	187.5 (4765)	59.9 (1520)	39.1 (990)	6	8	6500 (2950)	6500 (2950)	
	159 (4045)	77.2 (1960)	186.3 (4735)	207.2 (5265)	50.1 (1270)	29.2 (745)	6	5	6500 (2950)	6500 (2950)	
	171 (4345)	83.1 (2110)	198.2 (5035)	219 (5565)	56 (1420)	35.1 (890)	6	5	6400 (2900)	6400 (2900)	
	187 (4750)	87 (2210)	213.9 (5435)	234.8 (5965)	59.9 (1520)	39.1 (990)	6	5	6300 (2860)	6300 (2860)	
	198.5 (5045)	93.3 (2370)	225.7 (5735)	246.6 (6265)	66.2 (1680)	45.4 (1150)	6	5	6150 (2790)	6150 (2790)	
	218 (5545)	100.8 (2560)	245.4 (6235)	266.3 (6765)	73.7 (1870)	52.9 (1340)	6	5	5900 (2680)	5900 (2680)	
Full Free-Lift 4-Stage (QFV) <sup>2</sup>	237.5 (6045)	110.5 (2810)	265.1 (6735)	285.9 (7265)	83.5 (2120)	62.7 (1590)	6	5	4250 (1920)	5700 (2590)	
	241.5 (6100)	83.1 (2110)	262.6 (6670)	289.6 (7355)	62.1 (1575)	35 (890)	6	5	—	4500 (2040)	
	259.5 (6600)	89 (2260)	280.7 (7130)	307.7 (7815)	68 (1725)	40.9 (1040)	6	5	—	3300 (1490)	
	278 (7000)	95.3 (2420)	298.8 (7590)	325.8 (8275)	74.3 (1885)	47.2 (1200)	6	5	—	2100 (950)	

\* All capacities of 1500 lbs. or less are subject to a secondary review & could be denied by Toyota.

<sup>1</sup> Height of standard load backrest is 48" (1220 mm).

<sup>2</sup> QFV mast has 36"-wide Class II carriage.



# “I’M HERE TO MAKE SURE YOUR FORKLIFTS DON’T TAKE VACATION DAYS.”

Butch – 360 Technician, ProLift, Cincinnati, Ohio



## HELP IS ALWAYS HERE WITH TOYOTA 360 SUPPORT.

The industry’s best and most comprehensive dealer network quickly delivers Toyota Certified Technicians to your work site. These specially trained technicians can also help assess your warehouse and facility needs to recommend the right equipment for the job. And with the largest fleet of material handling equipment, Toyota 360 keeps your business running at full speed.

[ToyotaForklift.com/360-Support](http://ToyotaForklift.com/360-Support)



**YOUR BUSINESS IS RIDING ON IT.**

Some product features described herein are optional. Please consult your dealer for specifications. Details of specifications and equipment are based on information available at time of printing and may change without notice.

