

# MORE THAN JUST REACH.

From the outset Skyjack identified two key parameters for this electric boom. Along with offering competitive reach specifications, Skyjack's SJ30 ARJE features exceptional drive and duty cycle performance. Increased duty cycles maximize the amount of work possible from a fully charged machine. Outstanding drive performance means loading trailers for transport is significantly improved.

A direct electric AC drive features two wheel motors operating in parallel to maximize gradeability and efficiency, while speed sensing traction control reduces loss of traction and tyre scrubbing. Combining a machine weight of 5,675 kg with appropriately sized batteries, a variable speed system pump, and the utilisation of gravity for riser lowering, further aids machine efficiency.



## Skyjack UK

Unit 1, Maes-y-Clawdd  
Maesbury Road Industrial Estate  
Oswestry, Shropshire, SY10 8NN  
Tel: +44 (0) 1691 676235  
Fax: +44 (0) 1691 676239  
Email: [info@skyjackeurope.co.uk](mailto:info@skyjackeurope.co.uk)

[www.skyjack.com](http://www.skyjack.com)



## SJ30 ARJE ELECTRIC ARTICULATING BOOM

CE  
EU/ENG/07/2016

This brochure is for illustrative purpose only and based on the latest information at the time of printing. Skyjack Inc. reserves the right to make changes at any time, without notice, to specifications, standard and optional equipment. Consult the Operating Maintenance and Parts Manuals for proper procedures. CE marked work platforms are in conformance to Machinery Directive 2006/42/EC.

**SKYJACK**





## ROTATING JIB.

The SJ30 ARJE (Articulating Rotating Jib Electric Boom) offers a working height of 11 m, and horizontal outreach of 6.25 m. Ideal for warehouse, manufacturing and industrial settings that require up and over clearance in tight, confined spaces, the SJ30 ARJE has a width of 1.19 m and up and over clearance of 4 m.

- Direct AC electric drive
- Variable speed electric wheel motors
- 35% gradeability
- Dual spring applied, electromagnetically released brakes
- Regenerative braking
- Speed and angle sensing traction control
- Direction sensing drive and steer controls
- True vertical rise
- Relay based control system
- 28 mph (12.5 m/s) wind rating
- DC Powered emergency lowering
- Secondary guarding (electrical)

## IT'S A SKYJACK.

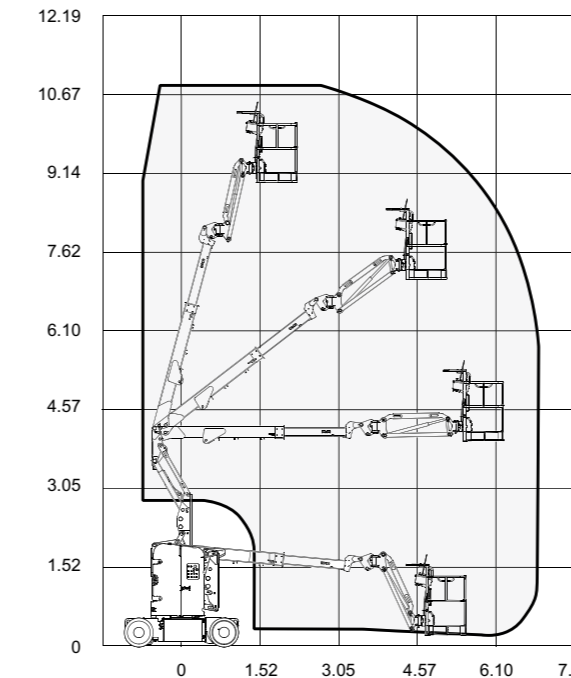
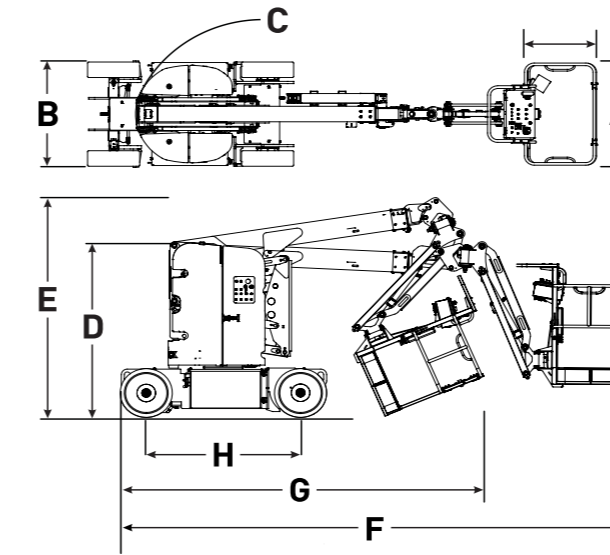
Similar to Skyjack's other articulating booms, the SJ30 ARJE features SKYCODED™ Skyjack's dependable relayed based control system, SKYRISER™ true vertical rise, and EASYDRIVE™ Skyjack's exclusive direction sensing drive and steer controls.

Dimensions	SJ30 ARJE
Work Height	11.00 m
Platform Height	9.00 m
Horizontal Reach	6.25 m
Up and Over Height	3.99 m
<b>A</b> Platform Size	0.76 x 1.17 m
<b>B</b> Width	1.19 m
<b>C</b> Tailswing	0
<b>D</b> Stowed Height	2.01 m
<b>E</b> Transport Height	2.54 m
<b>F</b> Stowed Length	5.44 m
<b>G</b> Transport Length	4.09 m
<b>H</b> Wheelbase	1.65 m
Ground Clearance	10.16 cm

Specifications	SJ30 ARJE
Turret Rotation	355° NC
Platform Rotation	180°
Jib Range of Motion - Horizontal	180°
Jib Range of Motion - Vertical	142° (+77°/-65°)
Weight	5,675 kg
Gradeability	35%
Turning Radius (Inside)	1.52 m
Turning Radius (Outside)	3.23 m
Drive Speed (Stowed)	4.8 km/h
Capacity	227 kg
Maximum # of Persons (Indoor/Outdoor)	2/1
Wind Rating	12.5 m/s

### MACHINE OPTIONS

- Pipe rack
- Tool caddy
- Platform work lights
- Flashing light
- 1/2" Airline to platform
- Control box cover
- 330 Ah AGM batteries
- Rear gate
- Bio oil
- 360 Ah batteries



## SIMPLY RELIABLE.

Skyjack not only believes in offering aerial equipment with exceptional reach and performance capabilities but also equipment that is reliable and easy to service. The SJ30 ARJE is no exception. Design concepts proven on other Skyjack product have been utilised; common off the shelf parts are used wherever possible, components are well protected, while serviceable components are easily accessible. As with all other Skyjack product, the SJ30 ARJE is covered by Skyjack's industry leading 2 year warranty program.

## RENTAL READY!

- Outstanding drive performance means loading trailers for transport is significantly improved.
- All components are protected whether it be from water ingress or falling debris so you know the SJ30 ARJE is fit for typical rental applications.
- An optimised hydraulic system provides multi function capability for riser, boom, jib and platform rotation functions which promotes improved productivity.
- Exceptional efficiency via a variable speed system pump, reduced weight, optimised battery selection and the utilisation of gravity for riser lowering.



**SKYCODED. SKYRISER. EASYDRIVE. ACCESSORYZERS.**

Preliminary specifications at time of printing. Consult your local area sales representative for details.